

VAC DFBAS C MT

VALUE Tap Range

Club Dual Flow Basin Mixer With Pop Up Waste with Metal Heads Chrome



Specification	
Style:	Contemporary
Product Type:	Bathroom Taps
Finish/Colour:	Chrome
Main Construction Material:	Brass
Mount Type:	Deck Mounted
Handle Type:	Round
Connection Inlet:	M10 x 400mm Flexible Connection Pipes
Number of Tap Holes Required:	1
Valve/Cartridge Type:	1/2" Standard Valves
Plumbing System Suitability	Ideally balanced
Working Pressure Range:	Min 0.2 bar, Max. 5.0 bar
Maximum Hot Water Temperature: °c	65
Maximum Dynamic Pressure: (bar)	5
Maximum Static Pressure: (bar)	10
Flow Type:	Dual Flow
Flow Rate: (l/min @ 3 bar)	60.7
Connection Outlet:	N/A
Isolation Included:	No

Features:

- Dual flow
- Supplied with metal heads
- Supplied with metal fixing nut
- Chrome plated to BS EN 248
- VAC DFBAS C NH (supplied with no heads)

Product Certifications:

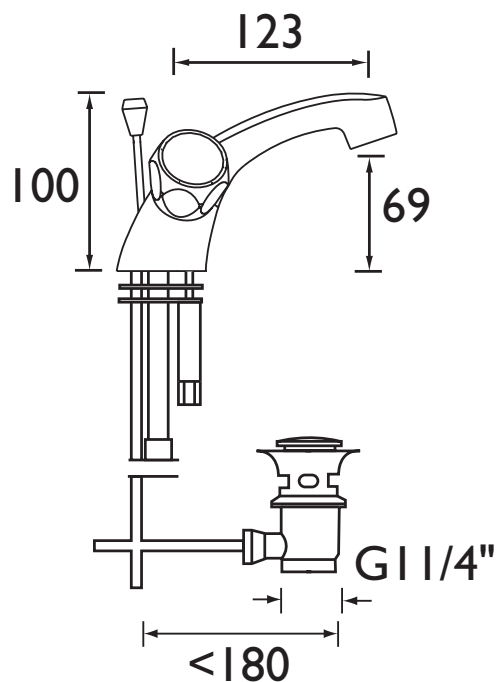
WRAS Certificate Number: 141701
WRAS Expiry Date: 30/11/2019



For more products, visit our website:



Dimensions (measurements in mm)



Flow Rates (l/min)

System Pressure (bar)	0.2	0.5	1	2	3	5
VAC DFBAS C MT	12.8	23	33.9	49.3	60.7	78.3

TECHNICAL
DATA
SHEET



BRISTAN
TAPS & SHOWERS

D7

