

VAL 1/2 C CD

LEVER Tap Range Lever Basin Taps with Ceramic Disc Valves



Features:

- Supplied with 3"(76mm) metal levers
- Metal back nuts
- Chrome plated to BS EN 248

Product Certifications:

WRAS Certificate No: 1409038



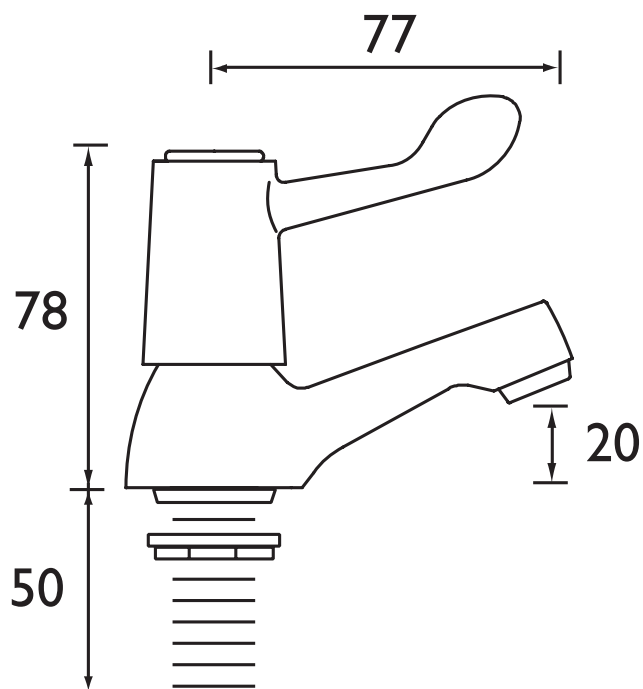
Also available in the LEVER Range is:



Specification

Style:	Contemporary
Product Type:	Taps
Finish/Colour:	Chrome
Main Construction Material:	Brass
Mount Type:	Deck
Handle Type:	Paddle
Connection Inlet:	1/2" BSP
Number of Tap Holes Required:	2
Valve/Cartridge Type:	1/2" Ceramic Disc Valves
Plumbing System Suitability	All - Ideally balanced
Working Pressure Range:	Min 0.2 bar, Max 7.0 bar
Maximum Hot Water Temperature: °c	65
Maximum Dynamic Pressure: (bar)	7
Maximum Static Pressure: (bar)	10
Flow Type:	Single Flow
Flow Rate: (l/min @ 3 bar)	31.5
Connection Outlet:	
Isolation Included:	No

Dimensions (measurements in mm)



Flow Rates (l/min)

System Pressure (bar)	0.2	0.5	1	2	3	5
VAL 1/2 C CD (Cold Supply)	8.1	12.9	18.5	25.7	31.5	40.7

**TECHNICAL
DATA
SHEET**



BRISTAN
TAPS & SHOWERS

D6