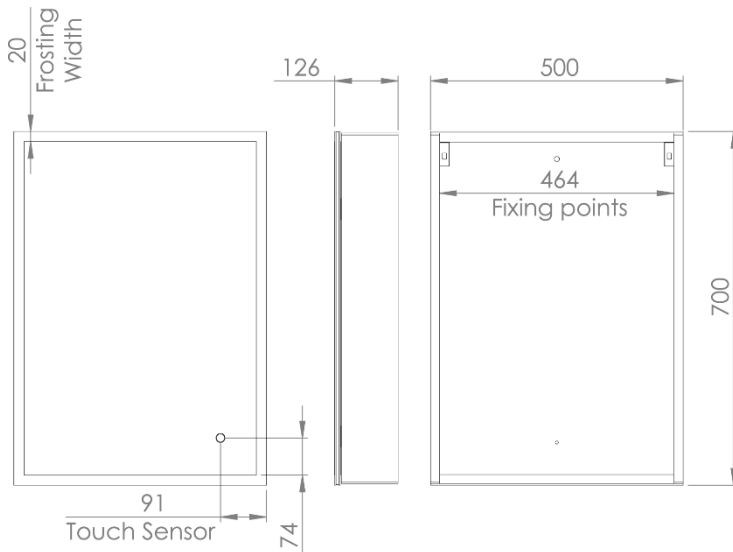


Technical Data Sheet

PRESENCE – PR50ALU, PR65ALU & PR100ALU

PR50ALU



Box Contents

Presence Cabinet | 2 glass shelves | 2x Wall hanging brackets | 4x wall plugs | 4x screws | Instructions booklet

Materials

Carcass: Extruded Aluminium

Door: Double sided mirror

Glass: 3mm PVC Backed

Carcass end caps: Painted plastic

*Dimensions are subject to change, customers are advised to measure actual product before commencing installation.

**Fixing point dimensions are for guidance only/the positions of wall fixing must be checked when product is received.

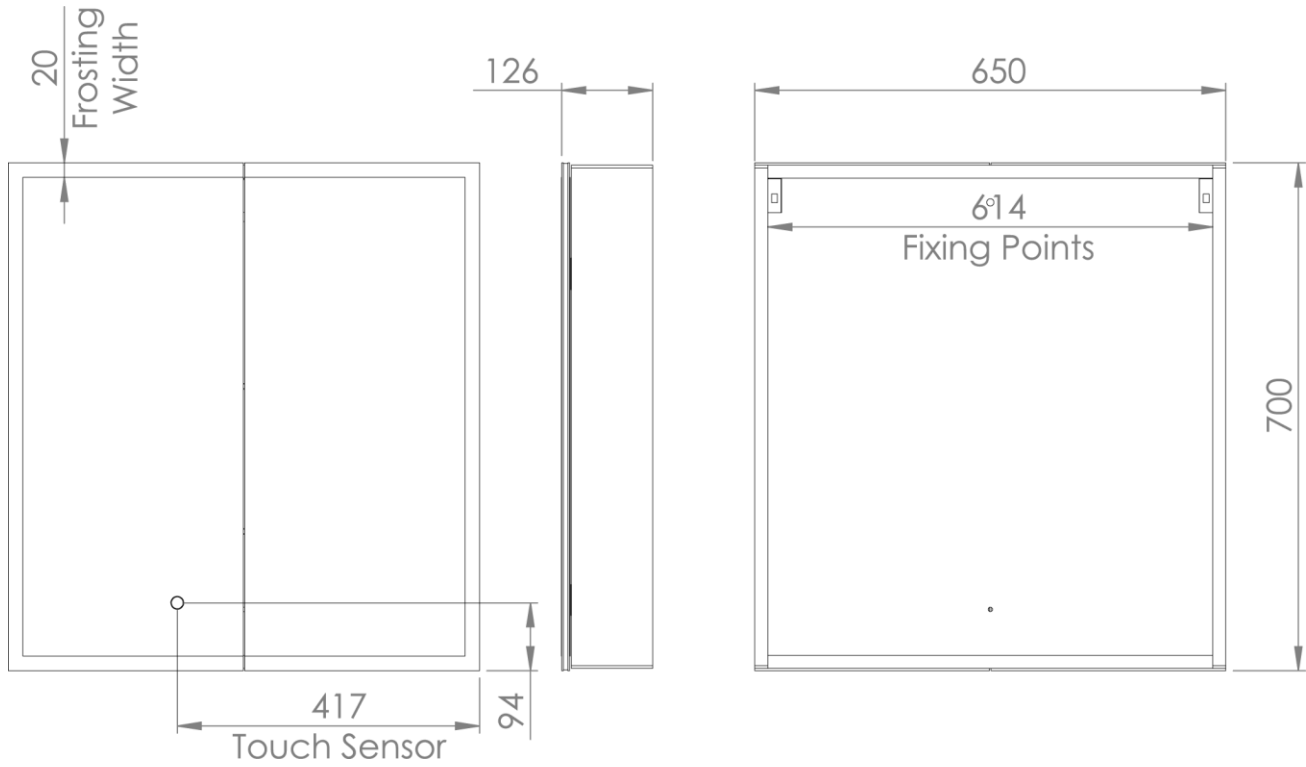
FAQ's:

	Units	PR50ALU	PR65ALU	PR100ALU
Internal dimensions (L x W x D)	mm	658 x 464 x 100	658 x 614 x 100	658 x 964 x 100
Shelf dimensions (L x W x D)	mm	456 x 95 x 8	606 x 95 x 8	956 x 100 x 8
Max shelf spacing	mm	Customer can adjust to suit any spacing requirements		
Distance between door hinges	mm	450		
Individual door dimensions (L x W x D)	mm	700 x 500 x 11	700 x 324 x 11	700 x 500 x 11
Max door opening angle	°	110		
Max depth with door open	mm	626	450	626
Hanging bracket centres	mm	464	614	964
What is the thickness of the mirror glass?	mm	3		
Is the cabinet IP44 rated?	-	Yes – suitable for use in bathroom zone 2		
What size fuse should I use?	-	Seek the advice of an electrician		
What is the total power consumption?	W	36.5	68	73
Does the cabinet have an energy rating?	-	Yes – It has an energy rating of: A		
What is the colour of the light and the Kelvin rating?	K	2700 - 6500		
What is the wattage of the lights?	W	21.5	38	43
Where is the touch sensor/rocker switch located?	-	Front bottom right	Front left door – bottom right	
Can the LED lighting be replaced?	-	No		
Can the IR sensor be replaced?	-	No		
What is the output of the demister pad?	W	15	30	30
What are the dimensions of the demister pad? (L x W)	mm	200 x 300	150 x 400	200 x 300
How do I turn on the demister pad?	-	The demister pad will turn on when the LEDs are turned on.		
Are illuminated cabinets supplied with mains cable?	-	All illuminated cabinets are supplied with a removeable 500mm mains cable. There is ample storage for excess cable in the back of the unit.		

10 Year Guarantee

We have complete confidence in this Roper Rhodes bathroom cabinet and as such it is offered with a 10-year guarantee against defects in manufacture. The electronics are covered by our 2-year guarantee. In the unlikely event that this product should fail during the guarantee period we will either replace the faulty part or the complete unit as appropriate.

PR65ALU



PR100ALU

