

No.	Description	Code	Fixings Included
1	Round Single Function Shower System	SVSET20	YES



Inlet Pressure	Flow Rate (l/min)
0.1bar	7.43
0.2bar	10.50
0.3bar	12.87
0.4bar	14.86
0.5bar	16.61
1bar	23.50
2bar	33.23

Flow from valve may vary depending on accessories and domestic supply.

Components - SVSET20

- Single Function Thermostatic Shower Valve - SV1404
- Wave Adjustable Riser Rail - SVRAIL01
- Single Function Shower Handset - SVHEAD24
- Brass Shower Hose - SVHOSE01
- Round Wall Elbow - SVACS03
- Valve Cover Plate

FAQs

How many fixing holes does the valve have? Four - two on the bottom and two on top of the valve.

How tall is the riser rail? 685mm

What is the wall elbow made out of? Chrome-plated brass

What is the minimum pressure for the valve? 0.1bar

How long is the shower hose? 1.5m

No.	Description	Code	Fixings Included
1	Round Dual Function Shower System With Fixed Shower Head	SVSET01	YES



Inlet Pressure	Flow Rate (l/min)
0.5bar	15.91
1bar	22.50
2bar	31.82
3bar	35.00
4bar	45.00

Flow from valve may vary depending on accessories and domestic supply.

Components - SVSET01

- Dual Function Thermostatic Shower Valve - SV1406
- 460mm Adjustable Brass Fixed Arm - SVARM01
- 220mm Single Function Shower Head - SVHEAD18
- Wave Adjustable Riser Rail - SVRAIL01
- Single Function Shower Handset - SVHEAD24
- Brass Shower Hose - SVHOSE01
- Round Wall Elbow - SVACS03
- Valve Cover Plate

FAQs

How many fixing holes does the valve have? Four - two on the bottom and two on top of the valve.

How tall is the riser rail? 685mm

What is the wall elbow made out of? Chrome-plated brass

What is the minimum pressure for the valve? 0.5bar

How long is the shower hose? 1.5m

No.	Description	Code	Fixings Included
1	Round Dual Function Shower System With Stainless Steel Fixed Shower Head	SVSET42	YES



Inlet Pressure	Flow Rate (l/min)
0.5bar	15.91
1bar	22.50
2bar	31.82
3bar	35.00
4bar	45.00

Flow from valve may vary depending on accessories and domestic supply.

Components - SVSET42

- Dual Function Thermostatic Shower Valve - SV1406
- 460mm Adjustable Brass Fixed Arm - SVARM01
- 250mm Stainless Steel Shower Head - SVHEAD12
- Wave Adjustable Riser Rail - SVRAIL01
- Single Function Shower Handset - SVHEAD24
- Brass Shower Hose - SVHOSE01
- Round Wall Elbow - SVACS03
- Valve Cover Plate

FAQs

How many fixing holes does the valve have? Four - two on the bottom and two on top of the valve.

How tall is the riser rail? 685mm

What is the wall elbow made out of? Chrome-plated brass

What is the minimum pressure for the valve? 0.5bar

How long is the shower hose? 1.5m

No.	Description	Code	Fixings Included
1	Round Dual Function Shower System With Bath Filler	SVSET21	YES



Inlet Pressure	Flow Rate (l/min)
0.5bar	15.91
1bar	22.50
2bar	31.82
3bar	35.00
4bar	45.00

Flow from valve may vary depending on accessories and domestic supply.

Components - SVSET21

- Dual Function Thermostatic Shower Valve - SV1406
- Smartflow Bath Filler - SVACS02
- Wave Adjustable Riser Rail - SVRAIL01
- Single Function Shower Handset - SVHEAD24
- Brass Shower Hose - SVHOSE01
- Round Wall Elbow - SVACS03
- Valve Cover Plate

FAQs

How many fixing holes does the valve have? Four - two on the bottom and two on top of the valve.

How tall is the riser rail? 685mm

What is the wall elbow made out of? Chrome-plated brass

What is the minimum pressure for the valve? 0.5bar

How long is the shower hose? 1.5m

No.	Description	Code	Fixings Included
1	Round Triple Function Shower System	SVSET22	YES



Inlet Pressure	Flow Rate (l/min)
1bar	23.60
2bar	33.37
3bar	37.00
4bar	47.20
5bar	52.30

Flow from valve may vary depending on accessories and domestic supply.

Components - SVSET22

- Triple Function Thermostatic Shower Valve - SV1409
- 460mm Adjustable Brass Fixed Arm - SVARM01
- 220mm Single Function Shower Head - SVHEAD18
- Smartflow Bath Filler - SVACS02
- Wave Adjustable Riser Rail - SVRAIL01
- Single Function Shower Handset - SVHEAD24
- Brass Shower Hose - SVHOSE01
- Round Wall Elbow - SVACS03
- Valve Cover Plate

FAQs

How many fixing holes does the valve have? Four - two on the bottom and two on top of the valve.

How tall is the riser rail? 685mm

What is the wall elbow made out of? Chrome-plated brass

What is the minimum pressure for the valve? 1.0bar

How long is the shower hose? 1.5m

No.	Description	Code	Fixings Included
1	Square Dual Function Shower System with Shower Head and Handset	SVSET70	YES



Inlet Pressure	Flow Rate (l/min)
0.5bar	15.91
1bar	22.50
2bar	31.82
3bar	35.00
4bar	45.00

Flow from valve may vary depending on accessories and domestic supply.

Components - SVSET70

- Dual Function Thermostatic Shower Valve - RR13
- 460mm Adjustable (can be cut down) Brass Fixed Arm - SVARM01
- 250mm Stainless Steel Shower Head - SVHEAD12
- Single Function Shower Handset - SVHEAD24
- Brass Shower Hose - SVHOSE01
- Outlet Elbow With Handset Holder - SVACS11
- Chrome Plated Brass Valve Cover Plate With Handles - SVHANRND

FAQs

What material is the handset? Chrome Plated ABS

What is the wall elbow made out of? Chrome-plated brass

What is the minimum pressure for the valve? 0.5bar

How long is the shower hose? 1.5m

Technical Data Sheet

Event Shower Systems

ROPER RHODES®

No.	Description	Code	Fixings Included
1	Round Single Function Shower System	SVSET32	YES



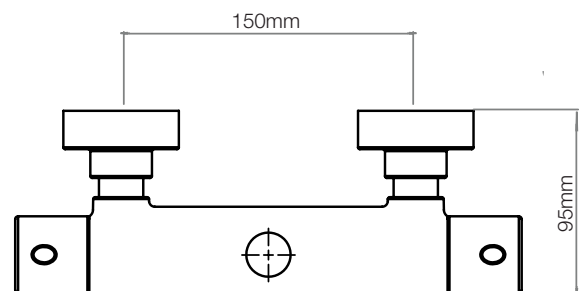
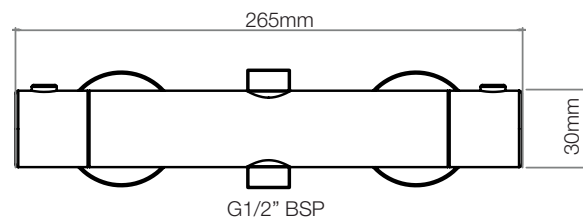
Inlet Pressure	Flow Rate (l/min)
0.5bar	9.48
1bar	12.97
2bar	17.82
3bar	22.28
4bar	25.68
5bar	28.61

Flow from valve may vary depending on accessories and domestic supply.

Components - SVSET32

- Surface Mounted Bottom Outlet Bar Valve (with Quick Fixing Kit) - SV2208
- Dive Riser Rail - SVRAIL05
- Air-drive Round 5-Function Shower Handset - SVHEAD29
- Easy Clean PVC Shower Hose - SVHOSE02

Diagrams not to scale. All dimensions in mm (tolerance of +/-5mm)



FAQs

How tall is the riser rail? 653mm

How long is the shower hose? 1.5m

What is the minimum pressure for the valve? 0.5bar

What is the distance between the valve front and the wall when mounted? 95mm

What is the total bar valve height? 38mm

What is the valve connection size? 1/2"

No.	Description	Code	Fixings Included
1	Round Dual Function Shower System	SVSET30	YES



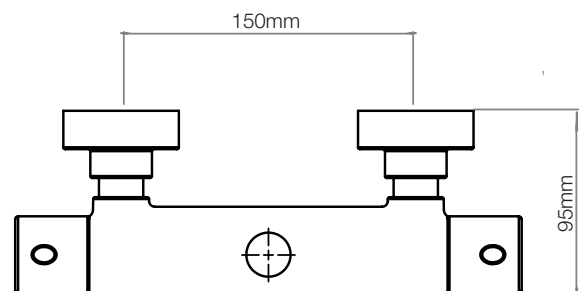
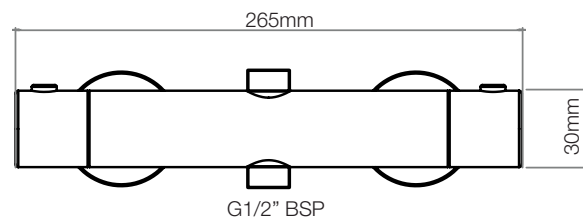
Inlet Pressure	Flow Rate (l/min)
1bar	12.97
2bar	17.82
3bar	22.28
4bar	25.68
5bar	28.61

Flow from valve may vary depending on accessories and domestic supply.

Components - SVSET30

- Surface Mounted Dual Outlet Bar Valve (with Quick Fixing Kit)
- Height Adjustable Rigid Riser Rail - SVRAIL07
- Round 220mm Shower Head - SVHEAD18
- Air-drive Round 5-Function Shower Handset - SVHEAD29
- Easy Clean PVC Shower Hose - SVHOSE02

Diagrams not to scale. All dimensions in mm (tolerance of +/-5mm)



FAQs

How tall is the riser rail? Adjustable from 958 - 1440mm

How long is the shower hose? 1.5m

What is the minimum pressure for the valve? 1.0bar

What is the distance between the valve front and the wall when mounted? 95mm

What is the total bar valve height? 38mm

What is the valve connection size? 1/2"

No.	Description	Code	Fixings Included
1	Square Dual Function Shower System With Fixed Shower Head	SVSET17	YES



Inlet Pressure	Flow Rate (l/min)
0.5bar	15.91
1bar	22.50
2bar	31.82
3bar	35.00
4bar	45.00

Flow from valve may vary depending on accessories and domestic supply.

Components - SVSET17

- Dual Function Thermostatic Shower Valve - SV2106
- 415mm Brass Fixed Arm - SVARM05
- 200mm Single Function Shower Head - SVHEAD17
- Square Brass Riser Rail - SVRAIL03
- Single Function Shower Handset - SVHEAD22
- Brass Shower Hose - SVHOSE01
- Square Wall Elbow - SVACS06
- Valve Cover Plate

FAQs

How many fixing holes does the valve have? Four - two on the bottom and two on top of the valve.

How tall is the riser rail? 680mm

What is the wall elbow made out of? Chrome-plated brass

What is the minimum pressure for the valve? 0.5bar

How long is the shower hose? 1.5m

No.	Description	Code	Fixings Included
1	Square Dual Function Shower System With Stainless Steel Fixed Shower Head	SVSET41	YES



Inlet Pressure	Flow Rate (l/min)
0.5bar	15.91
1bar	22.50
2bar	31.82
3bar	35.00
4bar	45.00

Flow from valve may vary depending on accessories and domestic supply.

Components - SVSET41

- Dual Function Thermostatic Shower Valve - SV2106
- 415mm Brass Fixed Arm - SVARM05
- 250mm Square Stainless Steel Shower Head - SVHEAD15
- Square Brass Riser Rail - SVRAIL03
- Single Function Shower Handset - SVHEAD22
- Brass Shower Hose - SVHOSE01
- Square Wall Elbow - SVACS06
- Valve Cover Plate

FAQs

How many fixing holes does the valve have? Four - two on the bottom and two on top of the valve.

How tall is the riser rail? 680mm

What is the wall elbow made out of? Chrome-plated brass

What is the minimum pressure for the valve? 0.5bar

How long is the shower hose? 1.5m

No.	Description	Code	Fixings Included
1	Square Triple Function Shower System	SVSET19	YES



Inlet Pressure	Flow Rate (l/min)
1bar	23.60
2bar	33.37
3bar	37.00
4bar	47.20
5bar	52.30

Flow from valve may vary depending on accessories and domestic supply.

Components - SVSET19

- Triple Function Thermostatic Shower Valve - SV2109
- 415mm Brass Fixed Arm - SVARM05
- 200mm Single Function Shower Head - SVHEAD17
- Smartflow Bath Filler (square) - SVACS07
- Square Brass Riser Rail - SVRAIL03
- Single Function Shower Handset - SVHEAD22
- Brass Shower Hose - SVHOSE01
- Square Wall Elbow - SVACS06
- Valve Cover Plate

FAQs

How many fixing holes does the valve have? Four - two on the bottom and two on top of the valve.

How tall is the riser rail? 680mm

What is the wall elbow made out of? Chrome-plated brass

What is the minimum pressure for the valve? 1.0bar

How long is the shower hose? 1.5m

No.	Description	Code	Fixings Included
1	Square Dual Function Shower System with Shower Head and Handset	SVSET73	YES



Inlet Pressure	Flow Rate (l/min)
0.5bar	15.91
1bar	22.50
2bar	31.82
3bar	35.00
4bar	45.00

Flow from valve may vary depending on accessories and domestic supply.

Components - SVSET73

- Dual Function Thermostatic Shower Valve - RR13
- 460mm Adjustable (can be cut down) Brass Fixed Arm - SVARM05
- 250mm Stainless Steel Shower Head - SVHEAD15
- Single Function Shower Handset - SVHEAD22
- Brass Shower Hose - SVHOSE01
- Outlet Elbow With Handset Holder - SVACS08
- Chrome Plated Brass Valve Cover Plate With Handles - SVHANSQ

FAQs

What material is the handset? Chrome Plated ABS

What is the wall elbow made out of? Chrome-plated brass

What is the minimum pressure for the valve? 0.5bar

How long is the shower hose? 1.5m

Technical Data Sheet

Event Shower Systems

ROPER RHODES®

No.	Description	Code	Fixings Included
1	Square Dual Function Shower System	SVSET31	YES



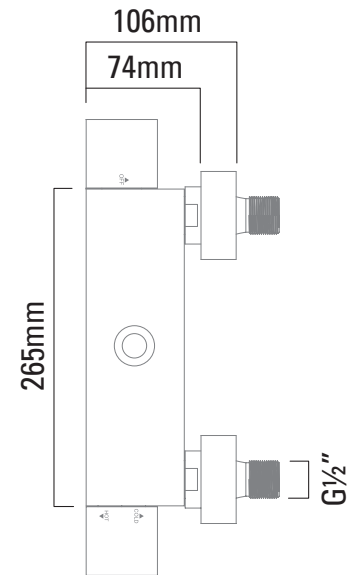
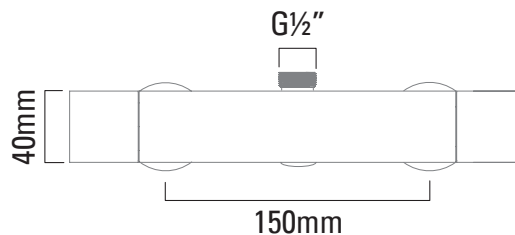
Inlet Pressure	Flow Rate (l/min)
1bar	10.29
2bar	13.98
3bar	17.34
4bar	19.98
5bar	22.56

Flow from valve may vary depending on accessories and domestic supply.

Components - SVSET31

Diagrams not to scale. All dimensions in mm (tolerance of +/-5mm)

- Surface Mounted Dual Outlet Bar Valve (with Quick Fixing Kit)
- Height Adjustable Rigid Riser Rail - SVRAIL10
- Square 250mm Shower Head - SVHEAD15
- Air-drive Single Function Shower Handset - SVHEAD28
- Easy Clean PVC Shower Hose - SVHOSE02



FAQs

How tall is the riser rail? Adjustable from 640 - 1080mm

How long is the shower hose? 1.5m

What is the minimum pressure for the valve? 1.0bar

What is the distance between the valve front and the wall when mounted? 106mm

What is the total bar valve height? 40mm

What is the valve connection size? 1/2"

Technical Data Sheet

Thermostatic Concealed Valves

ROPER RHODES®

No.	Description	Code	Fixings Included
1	Thermostatic Round Single Function Valve	SV1404	YES
2	Thermostatic Square Single Function Valve	SV2104	YES

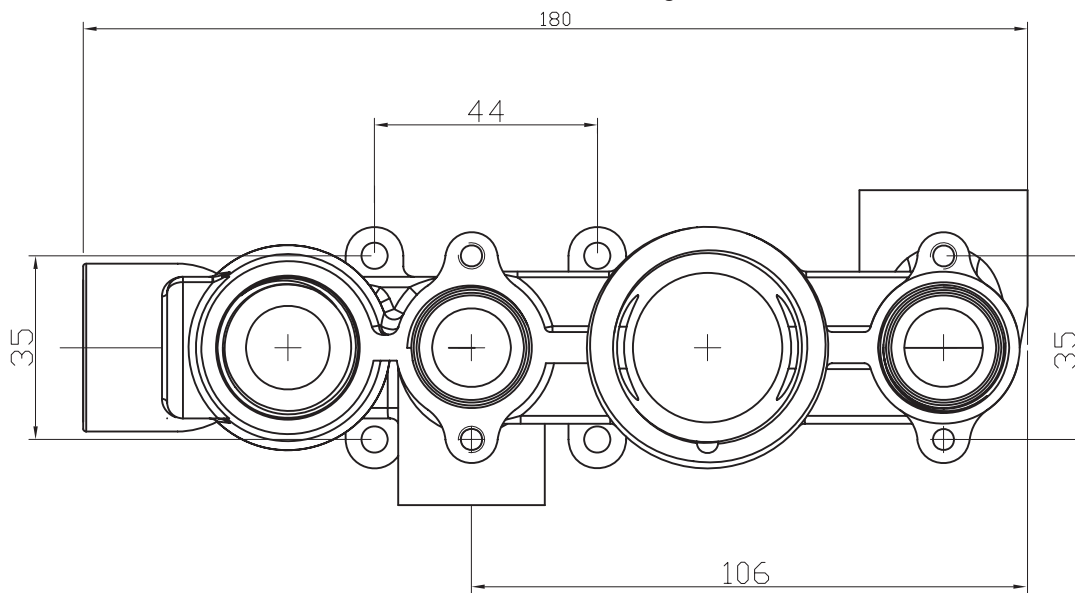


Flow from valve may vary depending on accessories and domestic supply.

Inlet Pressure	Flow Rate (l/min)
0.1bar	7.43
0.2bar	10.50
0.3bar	12.87
0.4bar	14.86
0.5bar	16.61
1bar	23.50
2bar	33.23

Dimensions - SV1404 / SV2104

Diagrams not to scale. All dimensions in mm (tolerance of +/-5mm)



*Dimensions are subject to change, customers are advised to measure actual product before commencing installation.

FAQs

What is the difference between the square and round valve? The two valves are exactly the same and only differ by the handles included in the box - round (SV1404) or square (SV2104)

How many fixing holes does the valve have? Four - two on the bottom and two on top of the valve.

What is included in the valve box? The valve, a cover plate, a set of handles and trim rings.

What is the size of the connections? The valve uses 3/4" connections

Technical Data Sheet

Thermostatic Concealed Valves

ROPER RHODES®

No.	Description	Code	Fixings Included
1	Thermostatic Round Dual Function Valve	SV1406	YES
2	Thermostatic Square Dual Function Valve	SV2106	YES

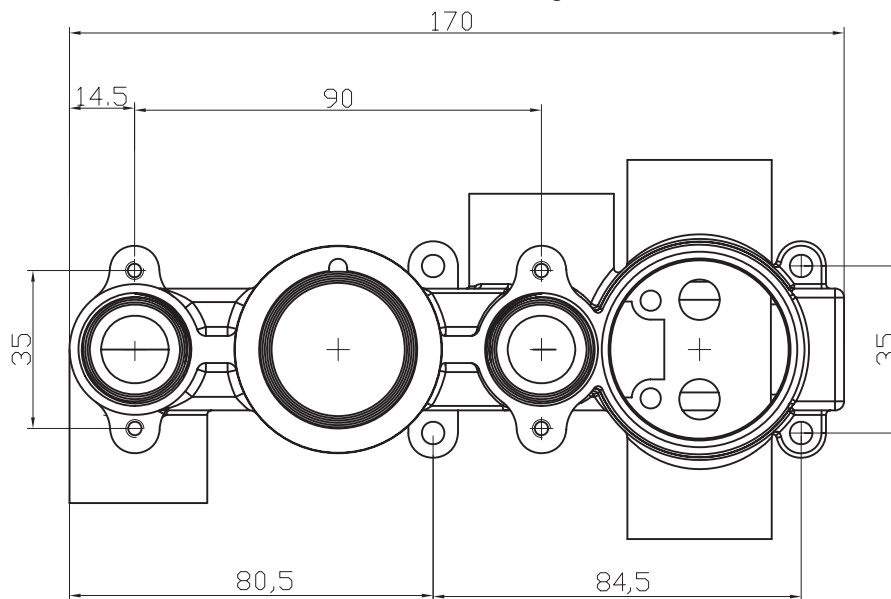


Flow from valve may vary depending on accessories and domestic supply.

Inlet Pressure	Flow Rate (l/min)
0.3bar	12.32
0.4bar	14.23
0.5bar	15.91
1bar	22.50
2bar	31.82
3bar	35.00

Dimensions - SV1406 / SV2106

Diagrams not to scale. All dimensions in mm (tolerance of +/-5mm)



*Dimensions are subject to change, customers are advised to measure actual product before commencing installation.

FAQs

What is the difference between the square and round valve? The two valves are exactly the same and only differ by the handles included in the box - round (SV1406) or square (SV2106)

How many fixing holes does the valve have? Four - two on the bottom and two on top of the valve.

What is included in the valve box? The valve, a cover plate, a set of handles and trim rings.

What is the size of the connections? The valve uses 1/2" connections

Technical Data Sheet

Thermostatic Concealed Valves

ROPER RHODES®

No.	Description	Code	Fixings Included
1	Thermostatic Round Triple Function Valve	SV1409	YES
2	Thermostatic Square Triple Function Valve	SV2109	YES

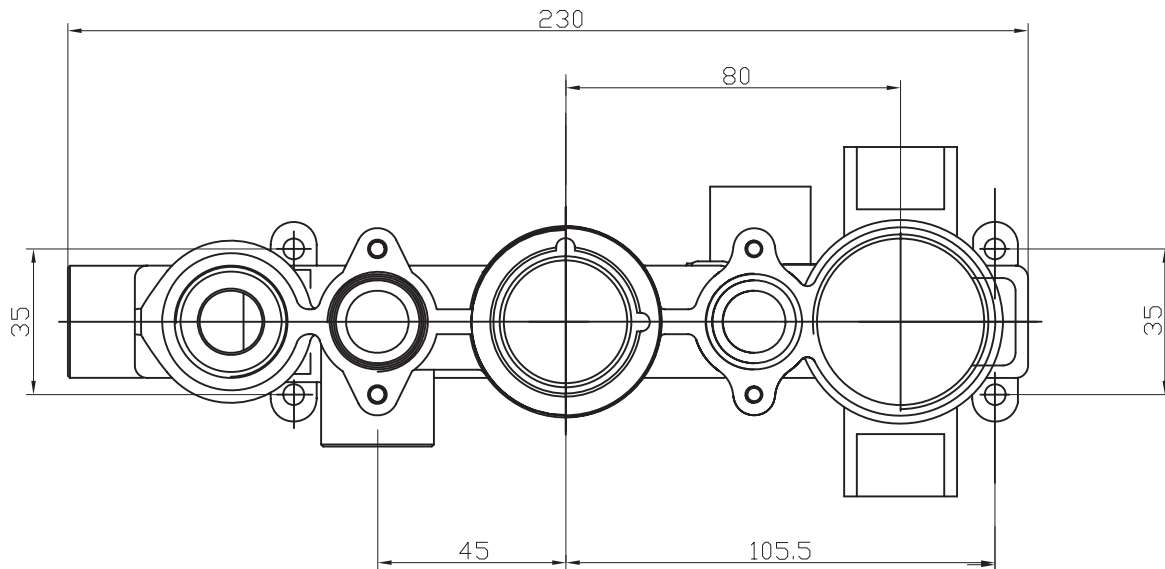


Flow from valve may vary depending on accessories and domestic supply.

Inlet Pressure	Flow Rate (l/min)
0.1bar	7.46
0.2bar	10.55
0.3bar	12.93
0.4bar	14.93
0.5bar	16.69
1bar	23.60
2bar	33.37

Dimensions - SV1409 / SV2109

Diagrams not to scale. All dimensions in mm (tolerance of +/-5mm)



*Dimensions are subject to change, customers are advised to measure actual product before commencing installation.

FAQs

What is the difference between the square and round valve? The two valves are exactly the same and only differ by the handles included in the box - round (SV1409) or square (SV2109)

How many fixing holes does the valve have? Four - two on the bottom and two on top of the valve.

What is included in the valve box? The valve, a cover plate, a set of handles and trim rings.

What is the size of the connections? The valve uses 1/2" connections

Technical Data Sheet

Thermostatic Concealed Valves

ROPER RHODES®

No.	Description	Code	Fixings Included
1	Thermostatic Round Dual Function Valve with Outlet	SV1411	YES
2	Thermostatic Round Dual Function Valve with Handset Outlet	SV1412	YES

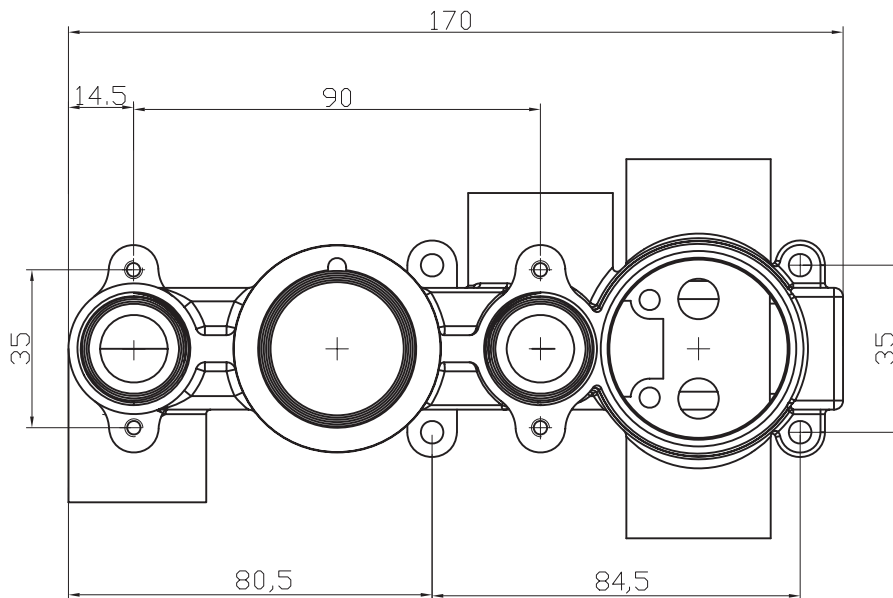


Flow from valve may vary depending on accessories and domestic supply.

Inlet Pressure	Flow Rate (l/min)
0.3bar	12.32
0.4bar	14.23
0.5bar	15.91
1bar	22.50
2bar	31.82
3bar	35.00

Dimensions - SV1411 / SV1412

Diagrams not to scale. All dimensions in mm (tolerance of +/-5mm)



*Dimensions are subject to change, customers are advised to measure actual product before commencing installation.

FAQs

How many fixing holes does the valve have? Four - two on the bottom and two on top of the valve.

What is included in the valve box? The valve, a cover plate, a set of handles, wall elbow and trim rings.

What is the size of the connections? The valve uses 1/2" connections.

Technical Data Sheet

Thermostatic Concealed Valves

ROPER RHODES®

No.	Description	Code	Fixings Included
1	Thermostatic Square Dual Function Valve with Outlet	SV2111	YES
2	Thermostatic Square Dual Function Valve with Handset Outlet	SV2112	YES

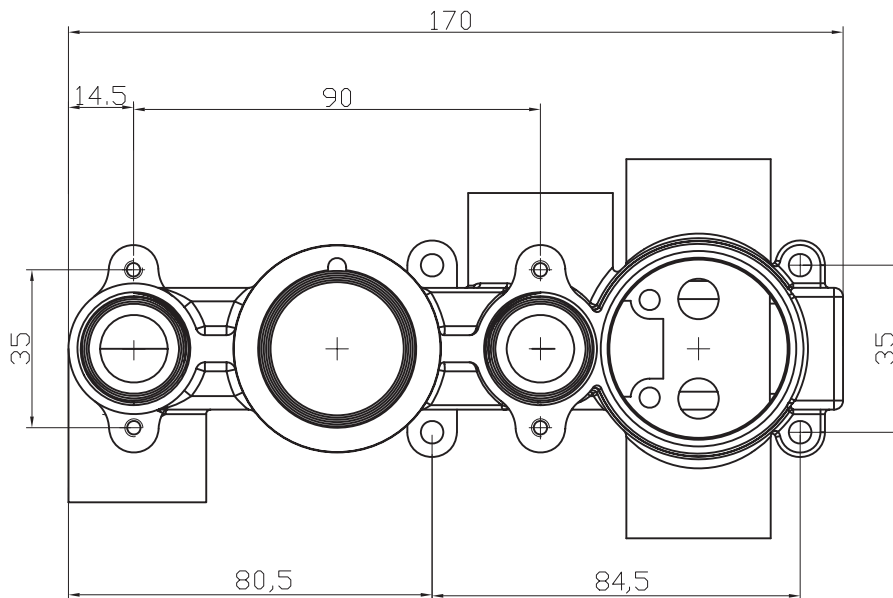


Flow from valve may vary depending on accessories and domestic supply.

Inlet Pressure	Flow Rate (l/min)
0.3bar	12.32
0.4bar	14.23
0.5bar	15.91
1bar	22.50
2bar	31.82
3bar	35.00

Dimensions - SV1411 / SV1412

Diagrams not to scale. All dimensions in mm (tolerance of +/-5mm)



*Dimensions are subject to change, customers are advised to measure actual product before commencing installation.

FAQs

How many fixing holes does the valve have? Four - two on the bottom and two on top of the valve.

What is included in the valve box? The valve, a cover plate, a set of handles, Wall elbow and trim rings.

What is the size of the connections? The valve uses 1/2" connections.