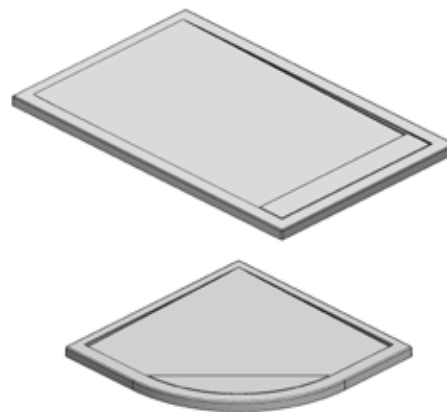
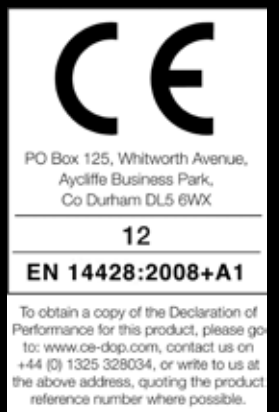


Infinity Tray

Instruction Manual

IA



IMPORTANT

- Please read these instructions carefully prior to attempting the installation. The low level tray will provide many years of trouble-free service if installed correctly. Important – some of the installation points are different to that associated with a conventional cast tray.
- Unpack and handle the product with care to avoid damage to the product finish.
- Check for any hidden electrical cables and water pipes prior to commencing any drilling work.
- Ensure the walls to which the enclosure is to be fitted are vertical. **Note:** *The walls should be tiled and grouted after the tray is fitted.*
- Ensure the tiling of the tray is no less than the minimum of 10mm and does not exceed the maximum of 25mm.
- These low level trays are heavy. It is recommended that at least two people carry out the installation of the tray to help prevent personal injury and damage to the product.
- Pictures are used for illustration purposes only; product designs may alter slightly as a result of continuing product development.
- The low level trays will handle a flow rate of up to 25 litres per minute; care must be taken to follow the guidelines regarding outflow pipe work. Inadequate gradients on waste pipe work may lead to water damage which is not covered under the terms of the Guarantee.
- This product must be bedded down on a bed of mortar of a weak 5:1 sand & cement mix (wet mix) on a solid base or either marine ply or concrete **in all installations**. This flattens out any undulations between the floor and the tray base.
- Excessive loading on a poorly supported tray may lead to damage of the tray.

Component Check List: Supplied

Description	Quantity
Low Level Tray	1
Waste Cover	1
90mm Waste	1

Equipment Check List: Not Supplied

Description
Bathroom Sealant Gun
Bathroom Sealant
Spirit Level(s)
Pencil
Rubber Mallet

Before Assembly and Installation of the Low Level Tray

- Check to see that you have the correct tray for your enclosure. This can be done by referring to the label on the side of the product packaging.
- Ensure all parts are in the packaging by checking them against the parts and quantities shown on the component checklist above.
- Check the product for defects or damage. Fitting the product is acceptance of quality and once the installation has been completed we cannot accept responsibility for any defects or damage to the product.
- The tray must be completely sealed along the tiled walls, fitted level (check with a spirit level) and should have no leaks.
- If installing this tray to create a “wetroom” style installation we cannot guarantee complete water integrity. This is due to the flexibility of this type of product and the numerous ways in which it can be configured.
- If fitting with a Roman wetroom panel please refer to the installation guide prior to commencing the installation. If using an alternative panel we suggest the panel(s) are positioned 5mm in from the inside edge of the tray to ensure deflection of water into the tray. Please contact our customer service team if you require additional information.

Tray Installation Procedures

The Low-Level Tray is intended to give a distinctive and minimalist appearance when installed with its corresponding enclosure. Additional benefits arise from the low level tray in the form of easy access for the user and the ability to create a nearly flush fitting using the following tips. The range offers an opportunity to own a fashionable enclosure that will add to the visual appeal of any bathroom while providing easy access for all the family.

- A. Install the tray conventionally as per Installation Procedure A prior to fitting the floor tiles. Floor tiling up to the tray will reduce the installed height by the amount equal to the thickness of the tile plus the adhesive (typically 10-15mm). A similar visual effect may be achieved with a piled carpet.
- B. Remove the floor boards and sink the tray below the floor boards as in Installation Procedure B. Typical floor boards in modern houses are approx. 15 - 20mm thick, so sinking the tray below the floor boards can reduce the height to around 25 - 40mm. Laying floor tiles up to the tray can provide a more flush fit.
- C. Should the tray require lifting to provide adequate space for the waste pipes, create a platform by following the procedure in Installation Procedure C, this will ensure there is adequate support for the tray.

Maintaining your Low Level Tray

Cleaning

Low level solid surface shower trays are designed for luxury showering and with care and attention you can keep them looking new for longer.

Matt Effect Trays

- Simply Clean your tray regularly using warm soapy water and a pan scouring pad.
- If more stubborn cleaning is required use warm soapy water and a 150 grade wet and dry paper.

Gloss Effect Trays

- Simply Clean your Tray regularly using warm soapy water and a soft cloth.

Take particular care and attention when using scouring pads and wet and dry paper near glass and aluminium to avoid scratches. **DO NOT USE ANY SHARP INSTRUMENTS.**

IMPORTANT: Do not use any other cleaning products. Propriety cleaning products are not suitable for cleaning low level solid surface shower trays and frequently change formula without notification and therefore cannot be endorsed by us.

Required Equipment

Spirit Level



Bathroom Sealant



Pencil

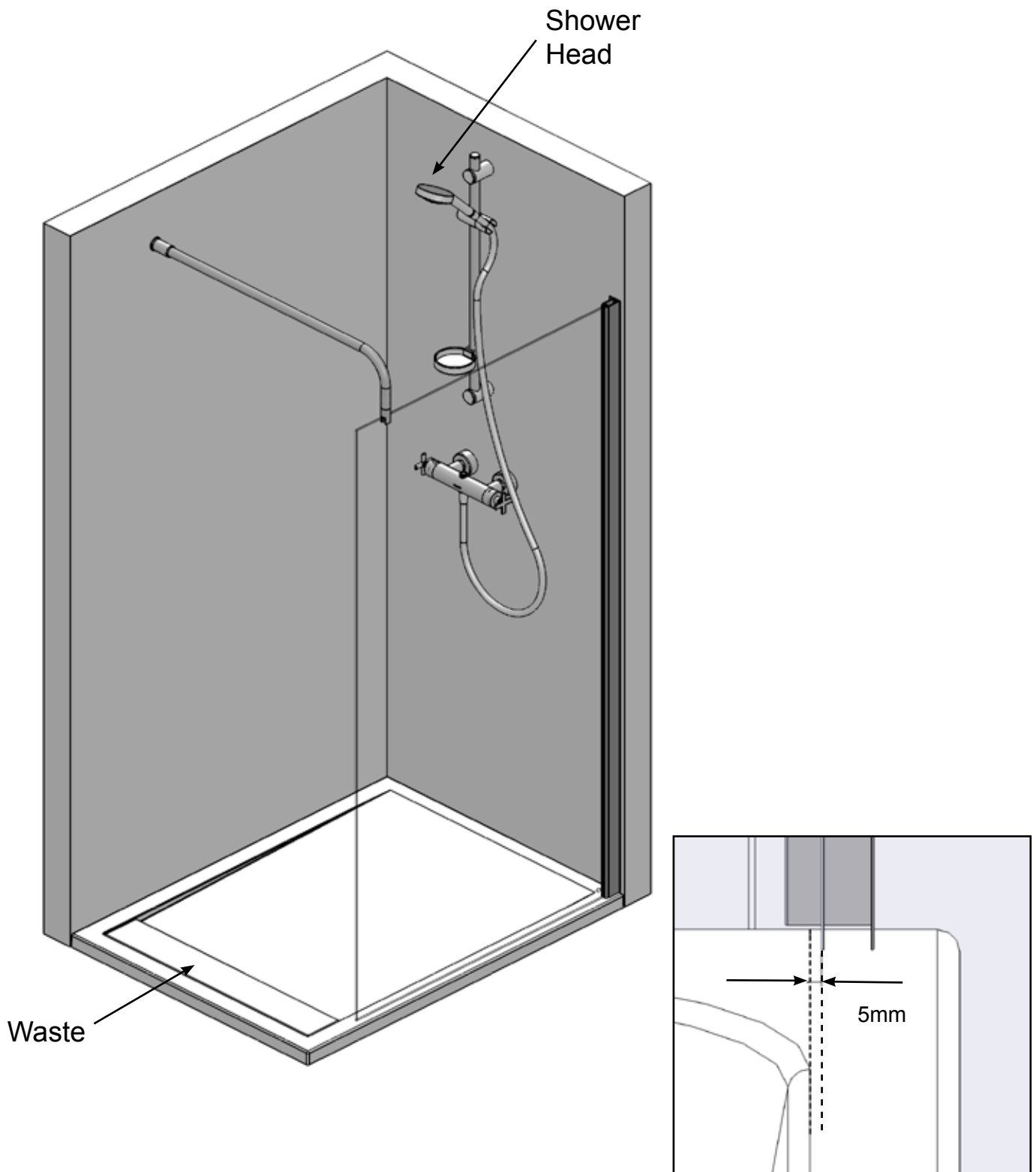


Bathroom Sealant Gun



IMPORTANT: The installer MUST ensure that the Waste is positioned at the opposite end to Shower Head (example shown below).

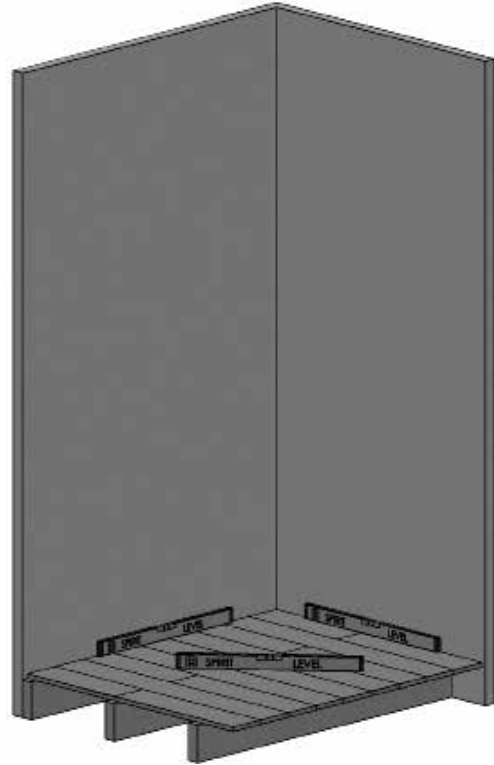
IMPORTANT: To avoid leakage when using the tray in conjunction with a Wetroom Panel it is recommended that it is fitted 5mm in from the inside edge of the tray.



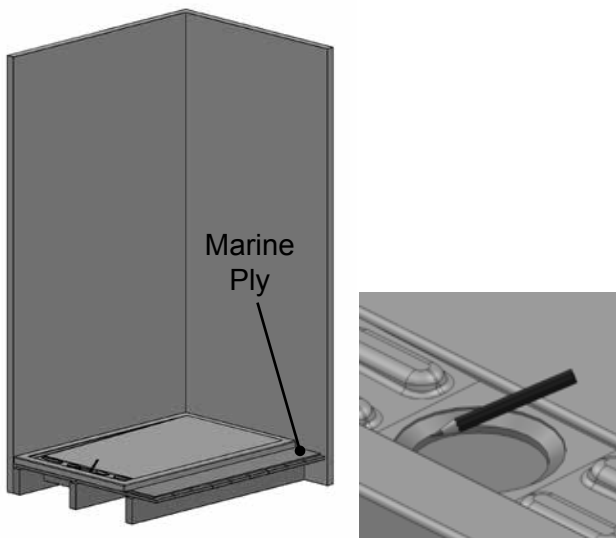
Please ensure you read the enclosure fitting instructions fully before commencing the installation of the tray.

Installation Procedure A - Direct to Floor

1. Prepare the floor on which the tray is to be fitted; ensure that there is adequate clearance for the waste assembly and outflow pipes. Caution should be taken to ensure there is adequate fall on the outflow pipe. High volume showers may require a greater fall.

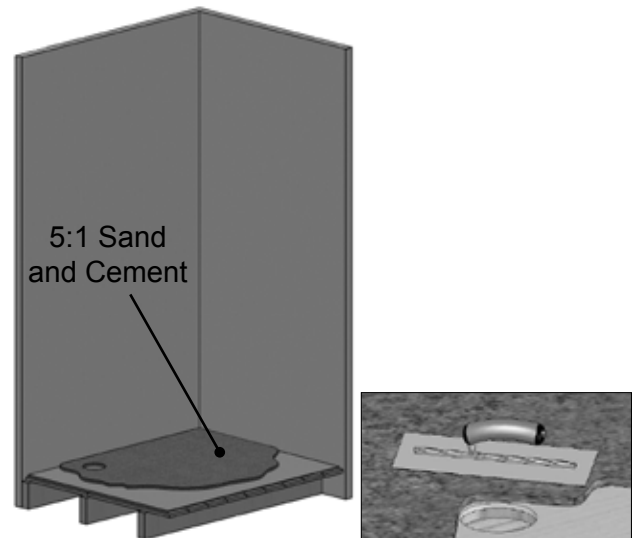


2. Ensure the floor is level (the bubble should be in the centre of the two lines on a spirit level) and free from debris.



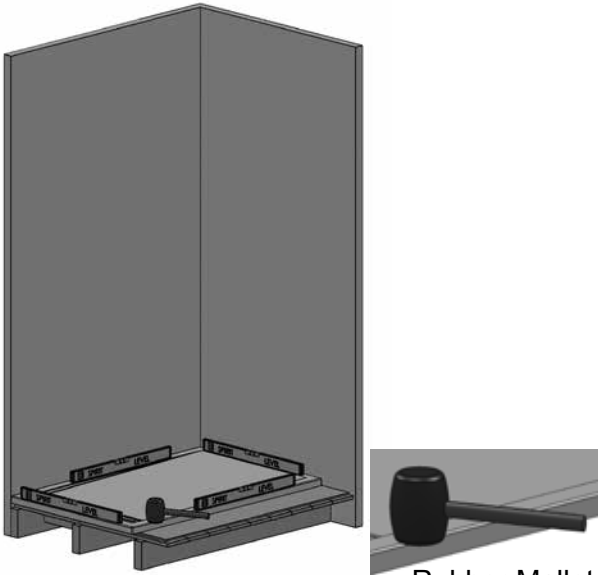
3. Prepare a rigid base of 10mm marine plywood, incorporate a suitable recess or cut out for the waste. Screw-fix the marine plywood to the floor ensuring that the finished base is level and free from debris.

- To cut the hole for the waste lay the tray down into position and draw a line around the inside circumference of the waste hole in the tray, the hole which requires to be cut must be large enough to accommodate the entire waste coupling.



4. The tray must be bedded down on a bed of mortar of a weak 5:1 sand/cement (wet mix), cover the marine plywood with a 15mm depth of weak sand/cement mix. This flattens out any undulations between the floor and tray base.

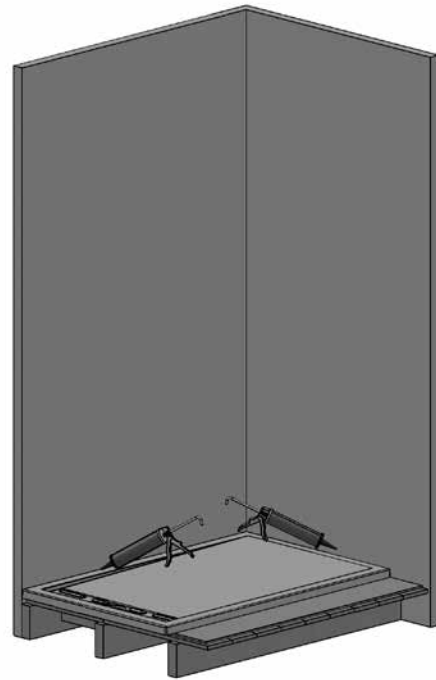
- **Important Information:** Do not just apply a small number of "dabs" of 5:1 sand/cement mix as this will result in poor support for the tray.



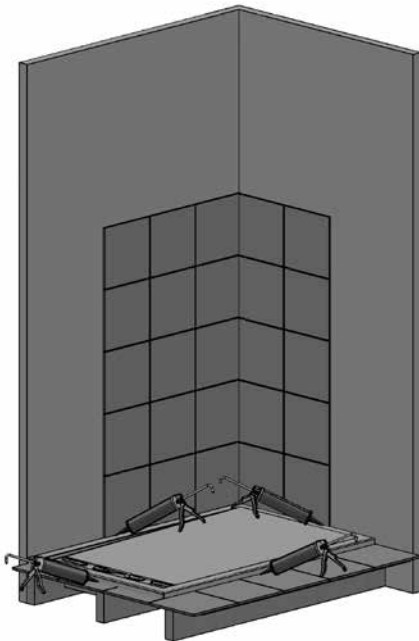
Rubber Mallet

5. Fit the waste to the tray in accordance with the manufacturer's instructions, place the shower tray with the fitted waste onto the cement bed and gently tap the tray into position and then finally level the tray and allow to set.
- You must allow the mortar to set before moving onto the next stage, we recommend 24 hours.

N.B. Please Clean the tray to remove any excess mortar



6. When the shower tray is set connect the waste pipe and check all plumbing for leaks. Once you are completely satisfied there are no leaks seal the joints between the tray and wall with a good quality bath room sealant and allow to set.



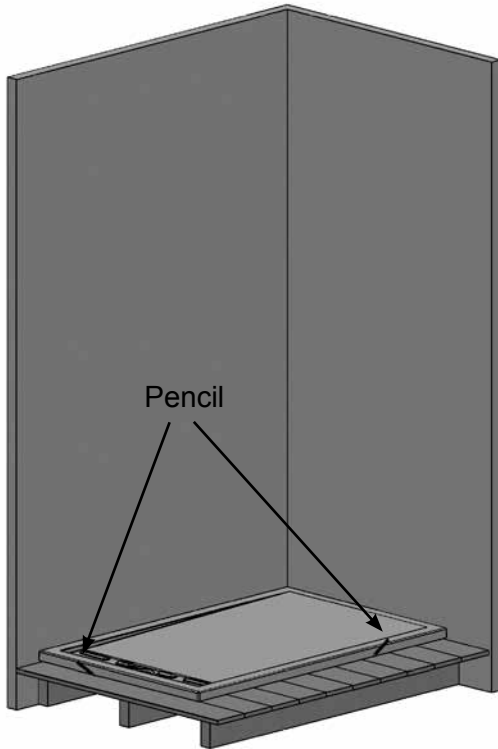
7. The tray should be tiled and grouted at this stage, seal the joints with a good quality bathroom sealant and allow to set.

IMPORTANT: THE TRAY MUST BE OVERTILED BY A MINIMUM 10mm & A MAXIMUM 25mm.

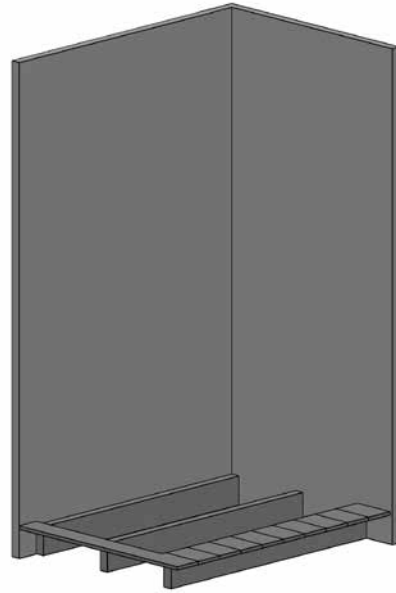
- Prior to commencing installation of the enclosure and once the silicon sealant has set, spray the shower hand set around all joints and check for leaks.

Note: Once all of the steps have been completed please refer to the enclosure installation instructions.

Installation Procedure B - Sunken Floor Installation

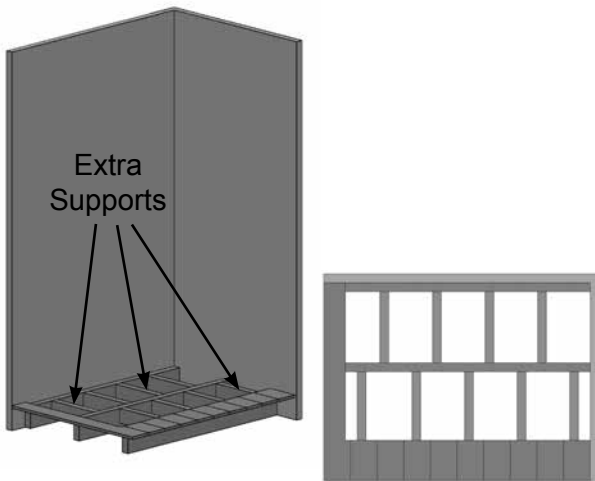


1. Place the tray into position, using a pencil draw the outline of the tray onto the floor boards.



2. Cut the flooring around the pencil line allowing clearance for the tray to slot into the gap. There are different methods of use to achieve this:
 - a) Using appropriate tools cut around the pencil line whilst the floor boards are in situ.
 - b) Lift the floor boards up from the joists, using a saw cut the floor boards along the pencil line.

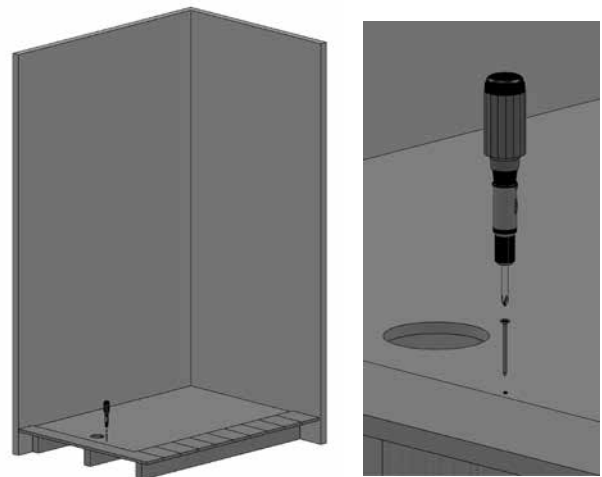
Note: Put the floor boards which were removed and cut in procedure (b) in a safe place.



3. Cut extra lengths of timber to fit between the floor joists approximately every 250mm, this will provide additional support. Cut slots in the supporting timbers to allow the waste pipe work to run correctly.

- Ensure the joists and timbers are level - checking both directions using a spirit level (the bubble should be in the centre of the two lines on the spirit level).

Caution should be taken when cutting through the original Joists, as reinforcement may be required. If in doubt seek professional advice



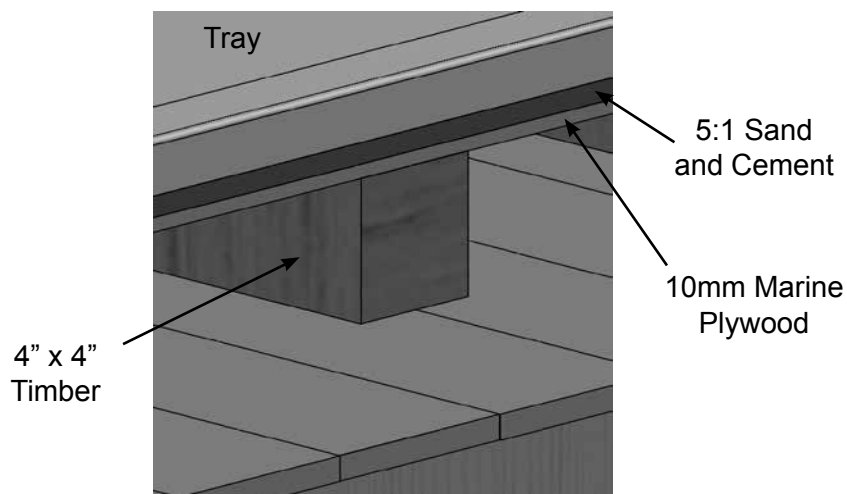
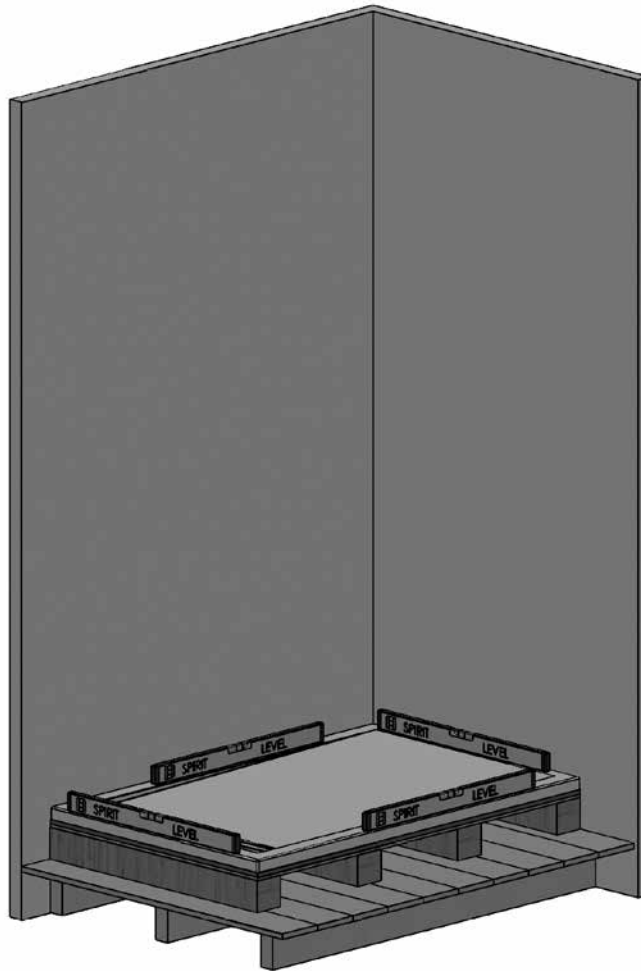
4. Prepare a rigid base of 10mm marine plywood where the tray will be positioned, incorporate a suitable recess or cut out for the waste. Screw-fix the marine plywood to the floor joists ensuring that the finished base is level and free from debris.

- To cut the hole for the waste, lay the tray down into position and draw a line around the inside circumference of the waste hole: (see Step 3 in Installation Procedure A). The hole must be large enough to accommodate the entire waste coupling.

IMPORTANT: Now follow Steps 4-7 in Installation Procedure A to complete tray installation

Installation Procedure C - Raised Appreciation

- The tray must be bedded down on a bed of mortar of a weak 5:1 sand/cement mix (wet mix) on a solid base of 10mm marine plywood, this flattens out any undulations between the marine plywood and tray base.
- Ensure that the tray is level on all sides and that the bubble is between the 2 lines on the spirit level.
- Once you have your raised platform you will need to follow steps 3-7 in **Installation Procedure A** to complete the tray installation.
- **IMPORTANT:** The number of 4" x 4" timbers needed to support the tray adequately will depend on the size of tray to be installed (the more support you can give it the better).



Tip: The exposed front where the tray has been raised up from the floor to provide adequate space for the waste pipes can be dressed using flexible plywood or plastic soffit fascia.

Some important information to help you Maintain your product.

The following information is all you need to keep your product looking new.

Clean your product using a mild detergent diluted in water and then polished off using a soft cloth.

If you live in a hard water area, periodically clean your product using a 50/50 solution of white vinegar and water. The solution should be left on the enclosure for approximately 5 minutes then rinsed off using warm water. This method of cleaning should remove lime scale residue.

Spare Parts:

If you need to replace any damaged parts please call Customer Relations on 01325 328033.

Should you experience any problems during installation please contact Customer Relations on:

+44 (0) 1325 328033

To enable customer relations to provide you with an excellent level of service it is important that you quote your Product Code and Reference Number - these numbers can be found on the guarantee card.