

No.D	Description	Product Code	Fixings included	Gross Weight	Net Weight
1	Structure Cistern inc. Flush Fitting & Lid	C450S	Yes	---	---
2	Structure Toilet Seat	TS450S	Yes	---	---
3	Structure Close Coupled Pan	P450S	Yes	---	---

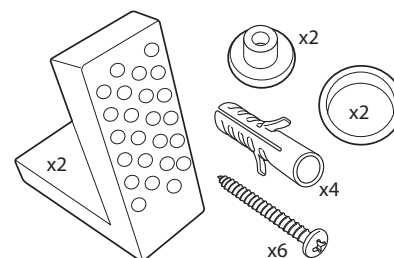


Cistern Settings:

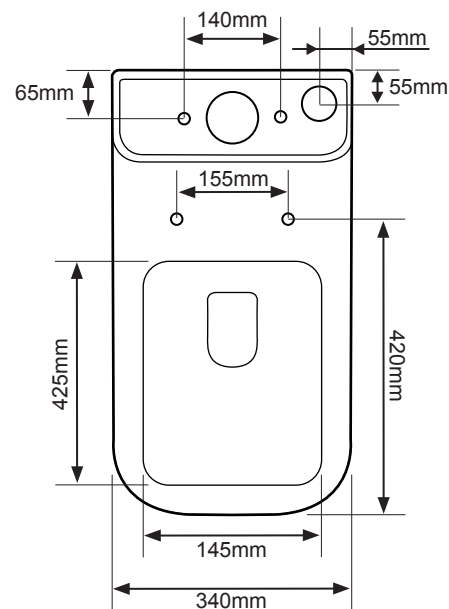
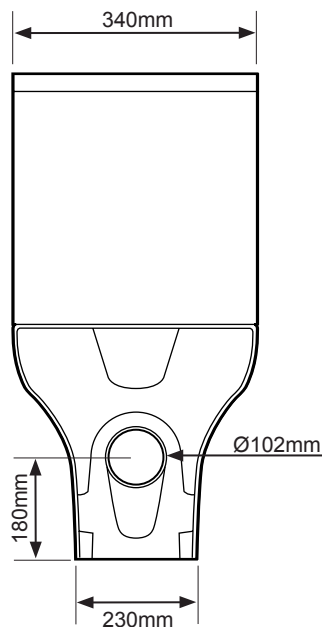
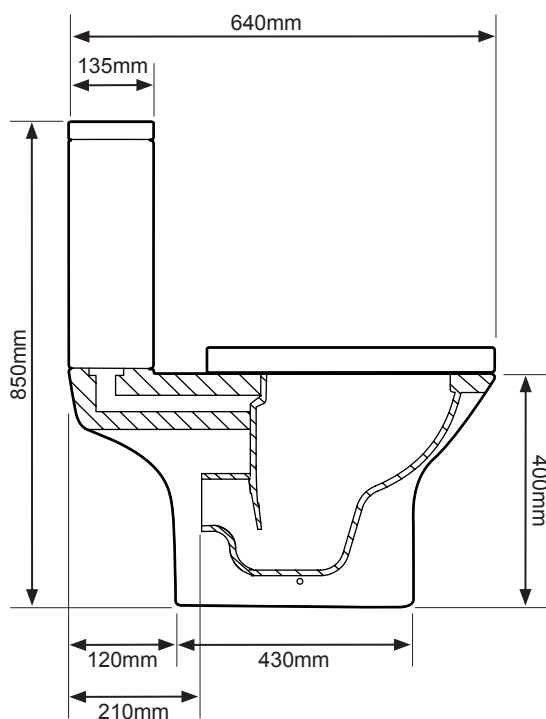
Full Flush Volume: 4.5L

Reduced Flush Volume: 3L

Floor Fixing Kit:



DIAGRAMS NOT TO SCALE
ALL DIMENSIONS IN MM
TOLERANCE OF ± 5MM



FAQ's

What side is the inlet located? **Right hand side**

Are there any other compatible seats? **No**

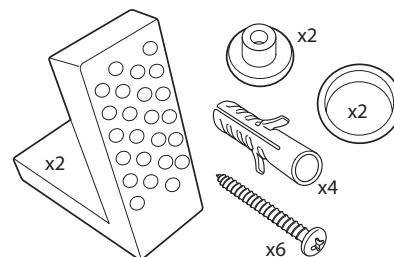
Can this pan be used with a side connection outlet pipe? **Yes**

The cistern lid won't shut/the cistern isn't working correctly. **Ensure the inlet and flush valves are set to the correct heights.**

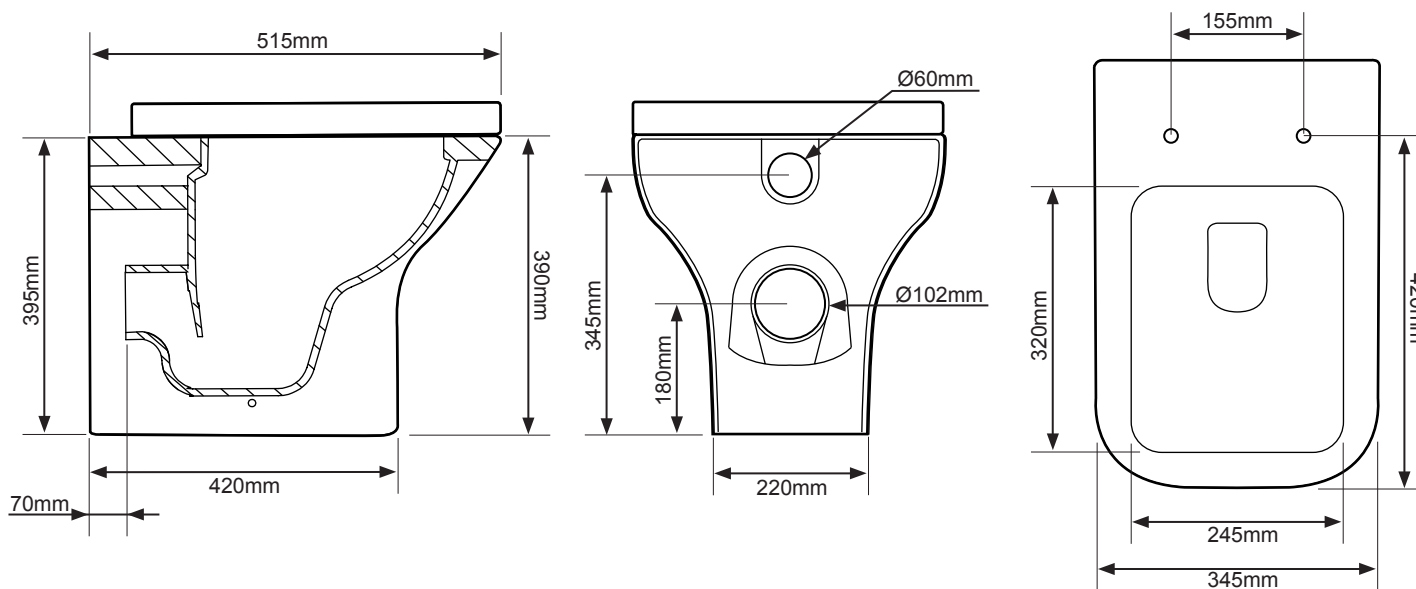
No.D	Description	Product Code	Fixings included	Gross Weight	Net Weight
1	Structure Back to Wall Pan	BTW450S	Yes	---	---
2	Structure Toilet Seat	TS450S	Yes	---	---



Floor Fixing Kit:



DIAGRAMS NOT TO SCALE
ALL DIMENSIONS IN MM
TOLERANCE OF ± 5MM



FAQ's

Are there any other compatible seats? **No**

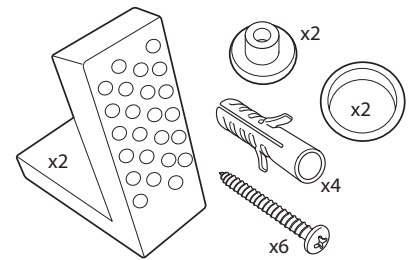
No.D	Description	Product Code	Fixings included	Gross Weight	Net Weight
1	Structure Cistern inc. Flush Fitting & Lid	C450S	Yes	---	---
2	Structure Toilet Seat	TS450S	Yes	---	---
3	Structure Close Coupled Comfort Pan	PC450S	Yes	---	---



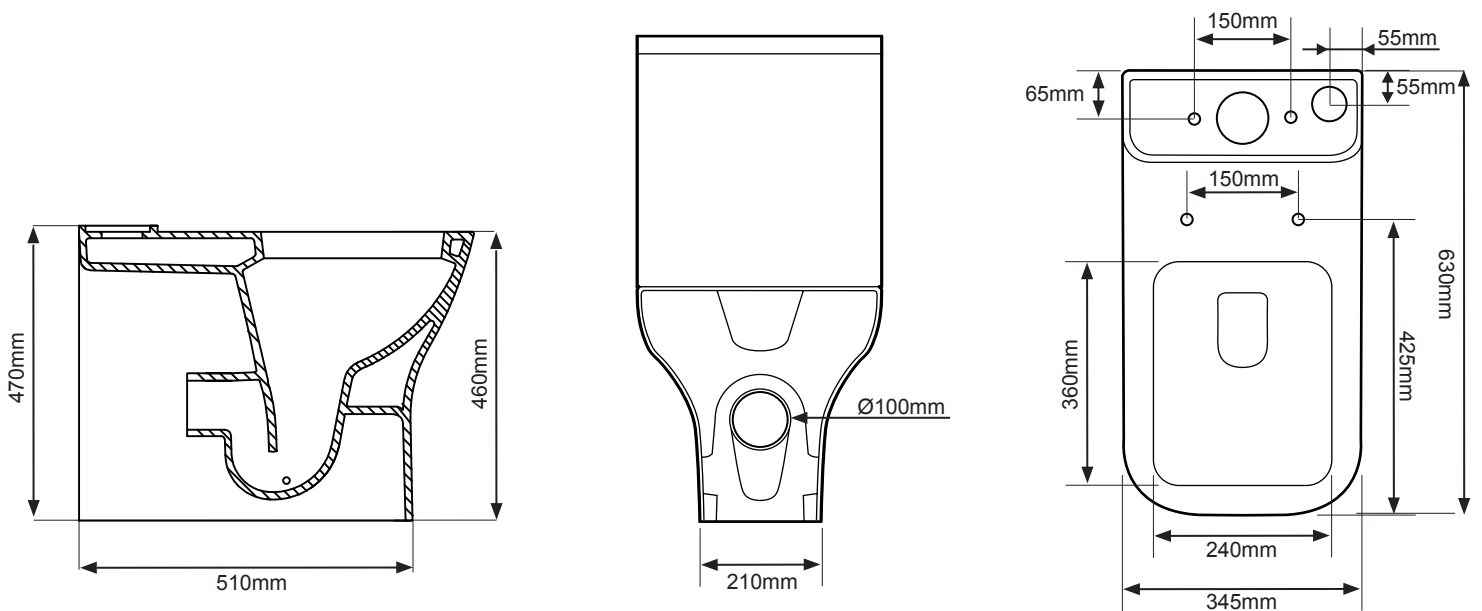
Cistern Settings:

Full Flush Volume: 4.5L
Reduced Flush Volume: 3L

Floor Fixing Kit:



DIAGRAMS NOT TO SCALE
ALL DIMENSIONS IN MM
TOLERANCE OF ± 5MM



FAQ's

What side is the inlet located? **Right hand side**

Are there any other compatible seats? **No**

Can this pan be used with a side connection outlet pipe? **No**

The cistern lid won't shut/the cistern isn't working correctly. **Ensure the inlet and flush valves are set to the correct heights.**

No.D	Description	Product Code	Fixings included	Gross Weight	Net Weight
1	Structure Cistern inc. Flush Fitting & Lid	C450S	Yes	---	---
2	Structure Toilet Seat	TS450S	Yes	---	---
3	Structure Close Coupled Pan	PF450S	Yes	---	---

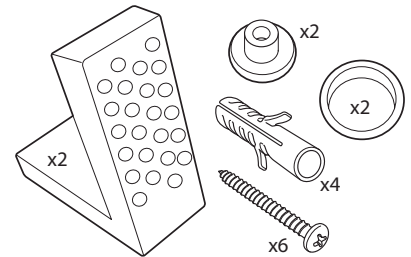


Cistern Settings:

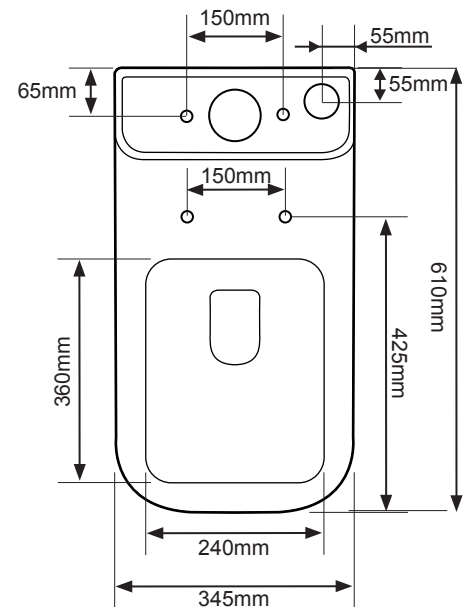
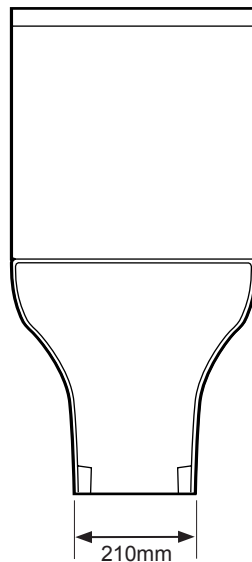
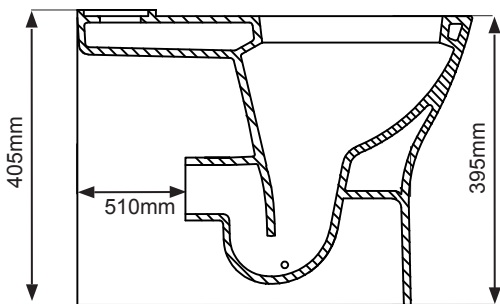
Full Flush Volume: 4.5L

Reduced Flush Volume: 3L

Floor Fixing Kit:



DIAGRAMS NOT TO SCALE
ALL DIMENSIONS IN MM
TOLERANCE OF ± 5MM



FAQ's

What side is the inlet located? **Right hand side**

Are there any other compatible seats? **No**

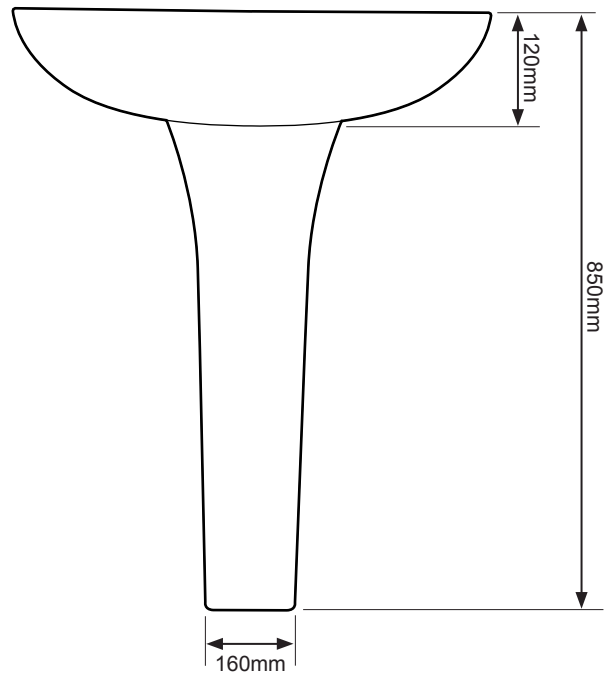
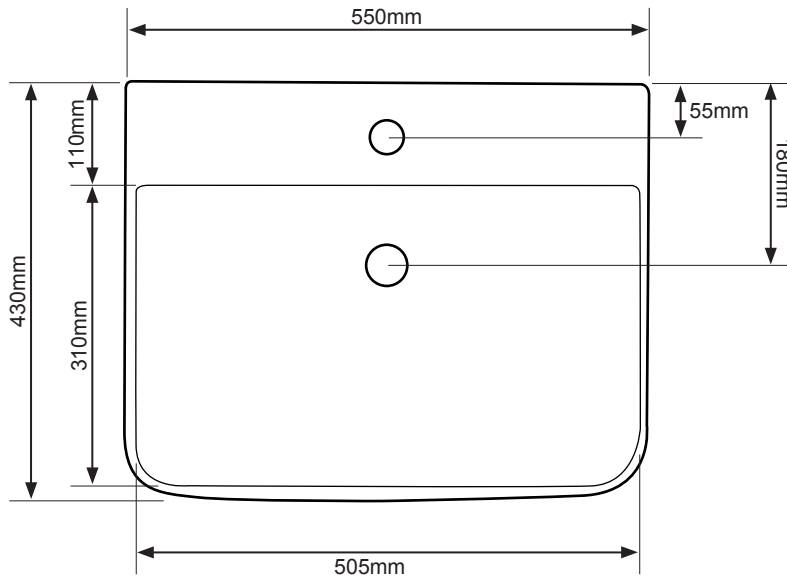
Can this pan be used with a side connection outlet pipe? **No**

The cistern lid won't shut/the cistern isn't working correctly. **Ensure the inlet and flush valves are set to the correct heights.**

No.D	Description	Product Code	Fixings included	Gross Weight	Net Weight
1	Structure 550 BasinS	B450S	Yes	---	---
2	Structure Pedestal	PE450S	N /A	---	---



DIAGRAMS NOT TO SCALE
ALL DIMENSIONS IN MM
TOLERANCE OF ± 5MM



Water Depth (Bottom of bowl to the underside of overflow) - 70mm

FAQ's

Can the basin be wall hung? **Yes, finish with a chrome bottle trap.**

Are the wall fixings supplied? **No. Use fixings appropriate to the installation at hand.**