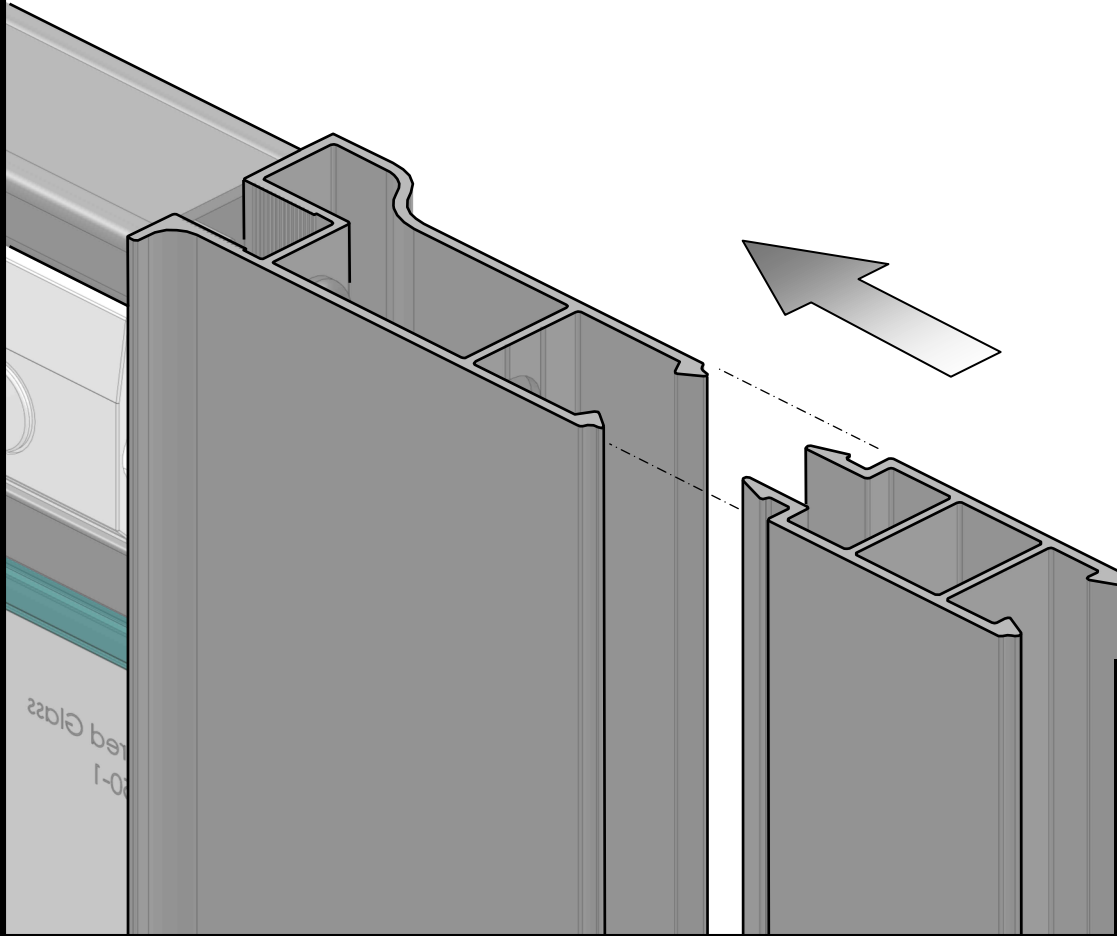
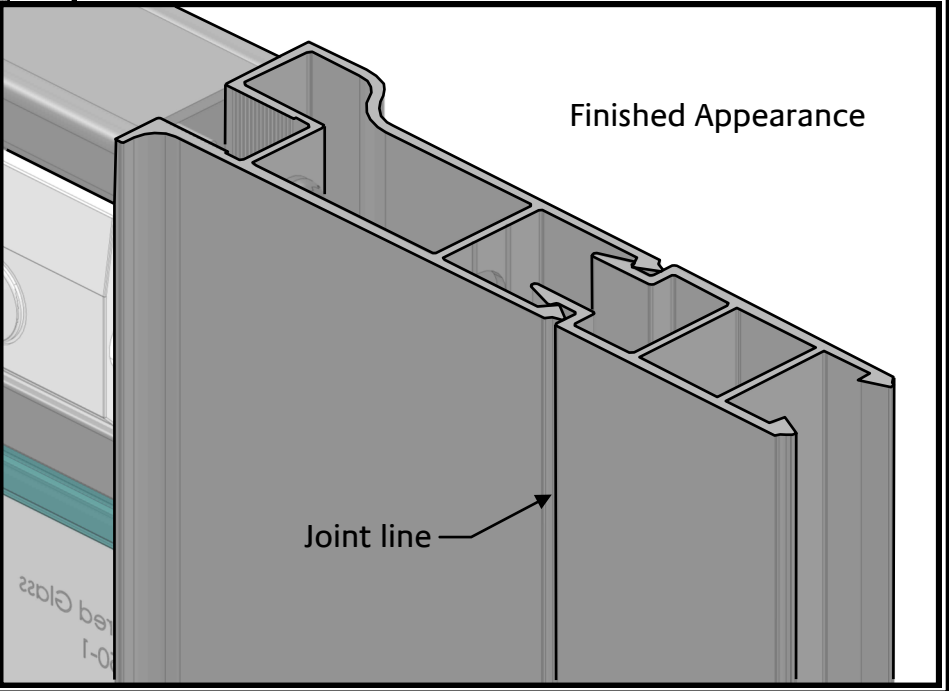


09.13



Note : several blows may be required to fully seat profile. Check joint line is parallel & profiles are tight to each other before continuing installation.



LAKES EXTENSION PROFILE (LEP) : Fitting Instruction

30mm Extension profile may fitted to either (or both) sides of Lakes shower doors. Multiple extension profiles may be used per side, but appearance & overall stability are adversely affected if more than two are used. It is advised that two persons carry out fitting (1 to fit, 1 to support / brace door).

With shower door supported / braced, standing upright on its base, align extension profile with frame vertical as shown, then working from top to bottom, using a block of wood & a hammer or mallet, knock the extension profile into the frame vertical in the direction of the arrow.