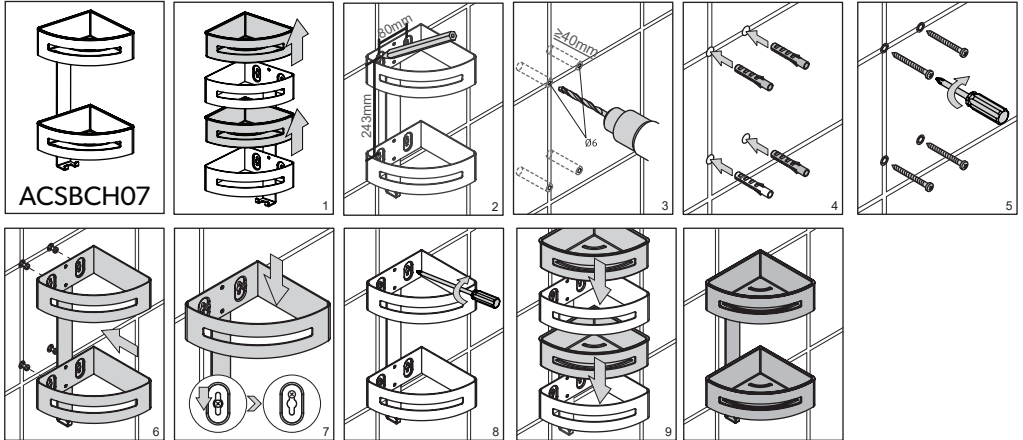
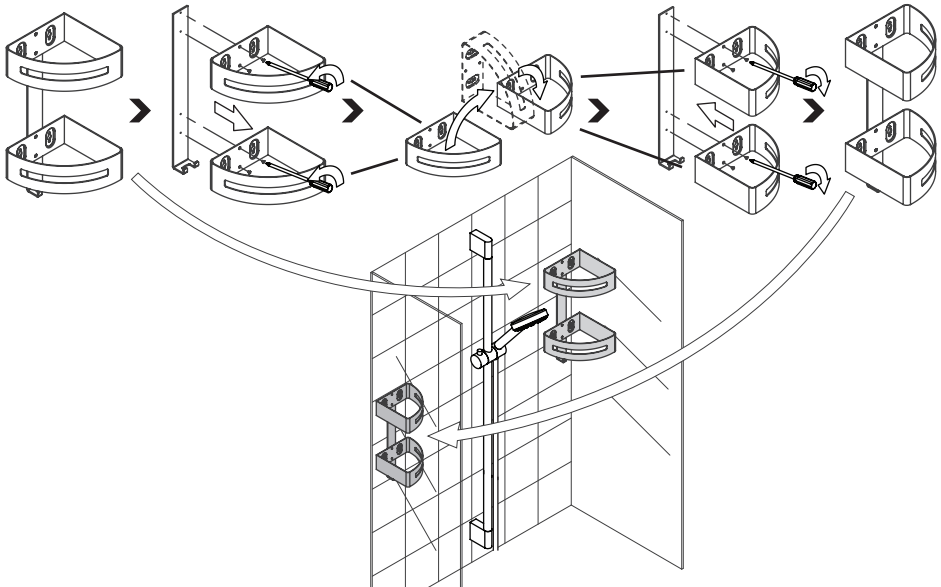


Installation Guideline

- Using a suitable drill bit, drill holes in the marked positions to a suitable depth. If drilling through tile, use a ceramic drill bit.
- Insert wall plugs level with the surface of the wall. If fitting to a tiled surface, wall plugs should be inserted below the tile surface to avoid cracking. NB. For plaster board walls, specialist fixings should be purchased, available from any DIY or hardware store.



CORNER BASKET REVERSIBLE FOR LEFT & RIGHT INSTALLATION



Care Instructions

- Do not use abrasives or solvents when cleaning this product.