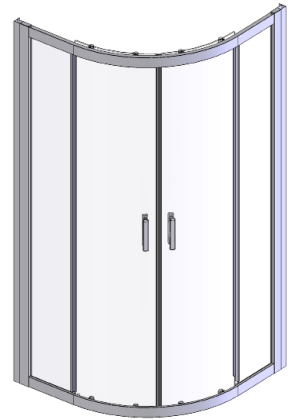


Two Door Quadrant

Instruction Manual

V8Q



IMPORTANT INFORMATION

Be aware toughened glass can shatter if not handled correctly. It should not be subjected to any sharp impact and it is essential to protect the glass by resting it on a soft protective surface during installation such as cardboard or carpeting. It is recommended to wear PPE at all times during installation.

**UK
CA**



PRE-INSTALLATION CHECKS

1. Check you have the correct product. Please look at the labels on the side of the product packaging.
2. Check all the product components are in the box and the fixing kits.
3. Unpack your product and handle it with care.
4. Please check the product for defects or damage, once the installation has commenced we cannot accept responsibility for any defects or damage.
5. Please take time to read these instructions prior to installing your product.
6. Before you commence any drilling check there are no hidden electrical cables and/or water pipes.
7. No attempt should be made to re-work the toughened safety glass.
8. The installation of the product should be performed by two persons.
9. It is strongly recommended that the walls the product is going to be installed on are vertical.
10. It is strongly recommended the product is fitted on a tiled surface or similar waterproof surface.
11. It is strongly recommended the walls are tiled and grouted before the product is installed.
12. If the walls and/or the tray are not level you will not achieve maximum adjustment of the product.
13. Pictures used are for illustration purposes only, product designs may alter slightly as a result of continuing product development.
14. We do not stipulate where the European Standard Kite Mark should be positioned on the glass when being factory assembled.
15. Please note that some natural misting may occur when you remove this product from its packaging, due to the addition of the glass protection pre-coating. If this does occur this can easily be removed with a soft, dry cloth.

Component Check List: Supplied

Description	Quantity
Wall Profiles	2
Panel Assemblies	2
Door Assemblies	2
Horizontal Rail Assemblies	2
Door Handle Assemblies	2
Bearing Assemblies (Top)	4
Bearing Assemblies (Btm)	4
Vertical Door Magnets	2
Vertical Door Seals	2
Vertical Panel Seals	2
L Shaped Panel Seals	4

Fixing Kit Components (Supplied)

Description	Quantity
2.5mm Drill Bit	1
Wall Plugs	6
40mm Screws	6
9mm Screws	6
Screw Bases	6
Screw Covers	6
Universal Caps	2
2.5mm Allen Key	1
3mm Allen Key	1
Branding Badge (if applicable)	1
13mm Frame Fixing Screws	8

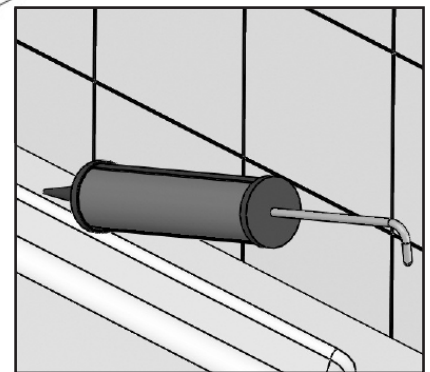
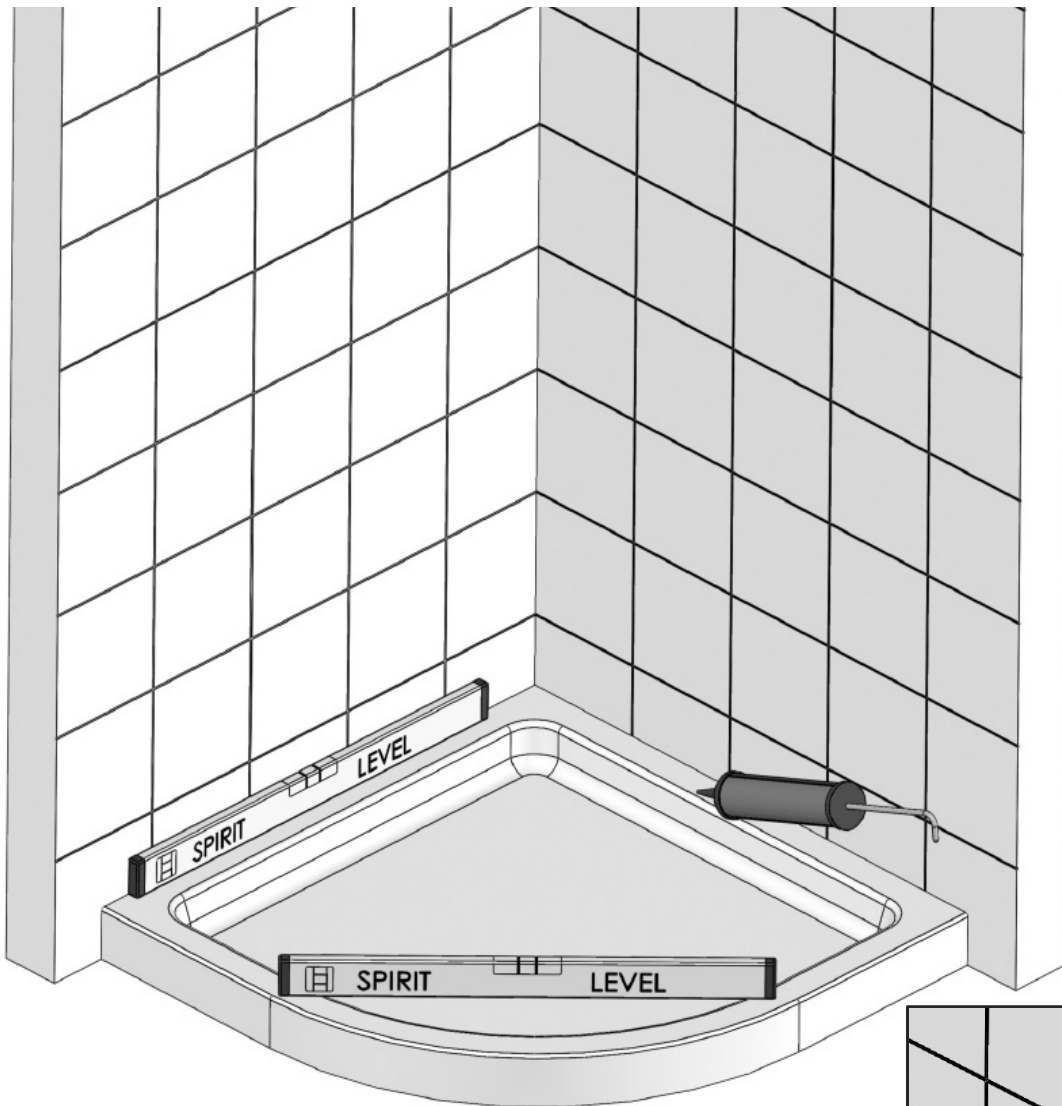
Equipment Check List: Not Supplied

Description
Mains or Battery Drill
6mm Masonry Drill Bit
Spirit Level
Pozi Screwdriver
Sealant Gun / Bathroom Sealant
Tape measure
Pencil
4.5mm Drill Bit

CONSUMER GUARANTEE

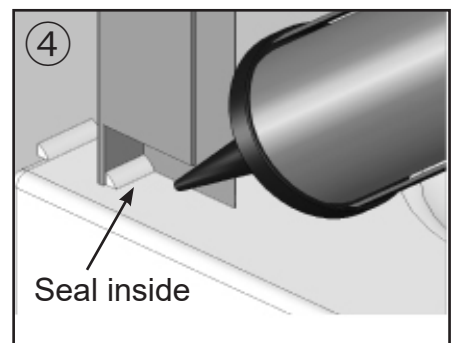
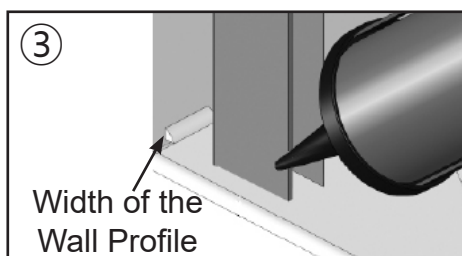
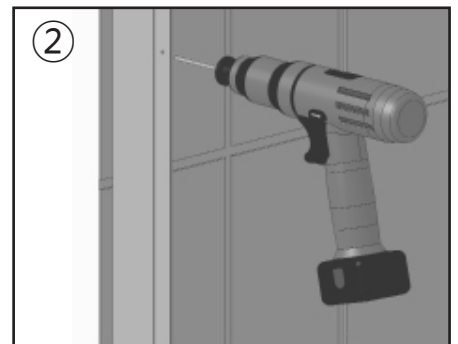
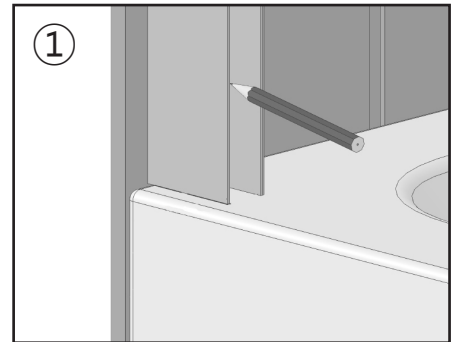
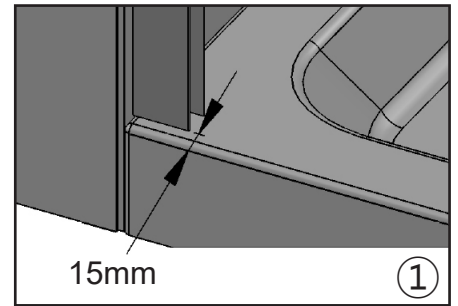
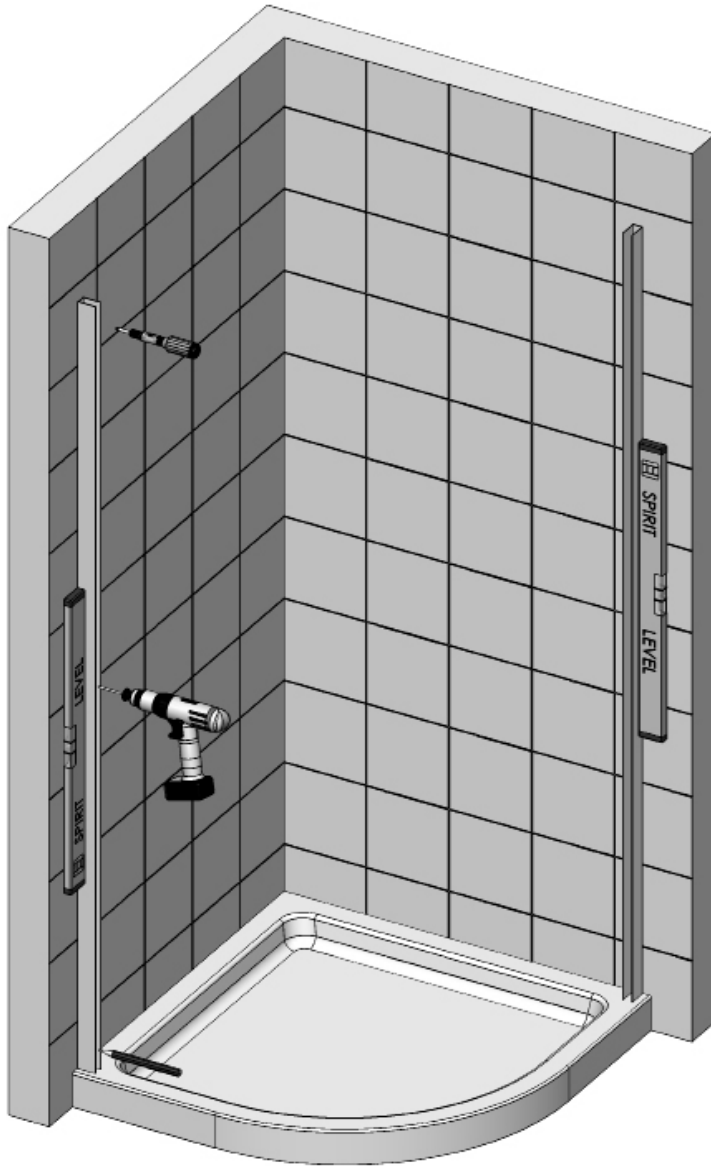
Please make sure the purchaser/end user completes and returns the guarantee card which is enclosed with this product. Failure to validate the Guarantee will mean only the 1 Year Statutory Guarantee will apply.

Step 1 - Pre-Installation Checks



1. Check the tray is level on all sides (the bubble on the spirit level must be in the centre of the 2 lines).
 2. Stand in the tray and check that there is no adverse movement (correct if necessary).
 3. The walls should be tiled and grouted up to the tray.
 4. The tiles and the tray should be sealed using a good quality bathroom sealant.
- **Spray the seal and joints with the shower head and check for leaks when the silicon has cured.**
 - **Check the plumbing for leaks.**
 - **DO NOT plasterboard over the tray.**
 - **DO NOT grout the tiles when the enclosure has been fitted, the grout may discolour the aluminium profiles.**
 - **Make sure the tray is installed as per the manufacturer's instructions.**
 - **When all of the above has been completed please proceed to the Step 2.**

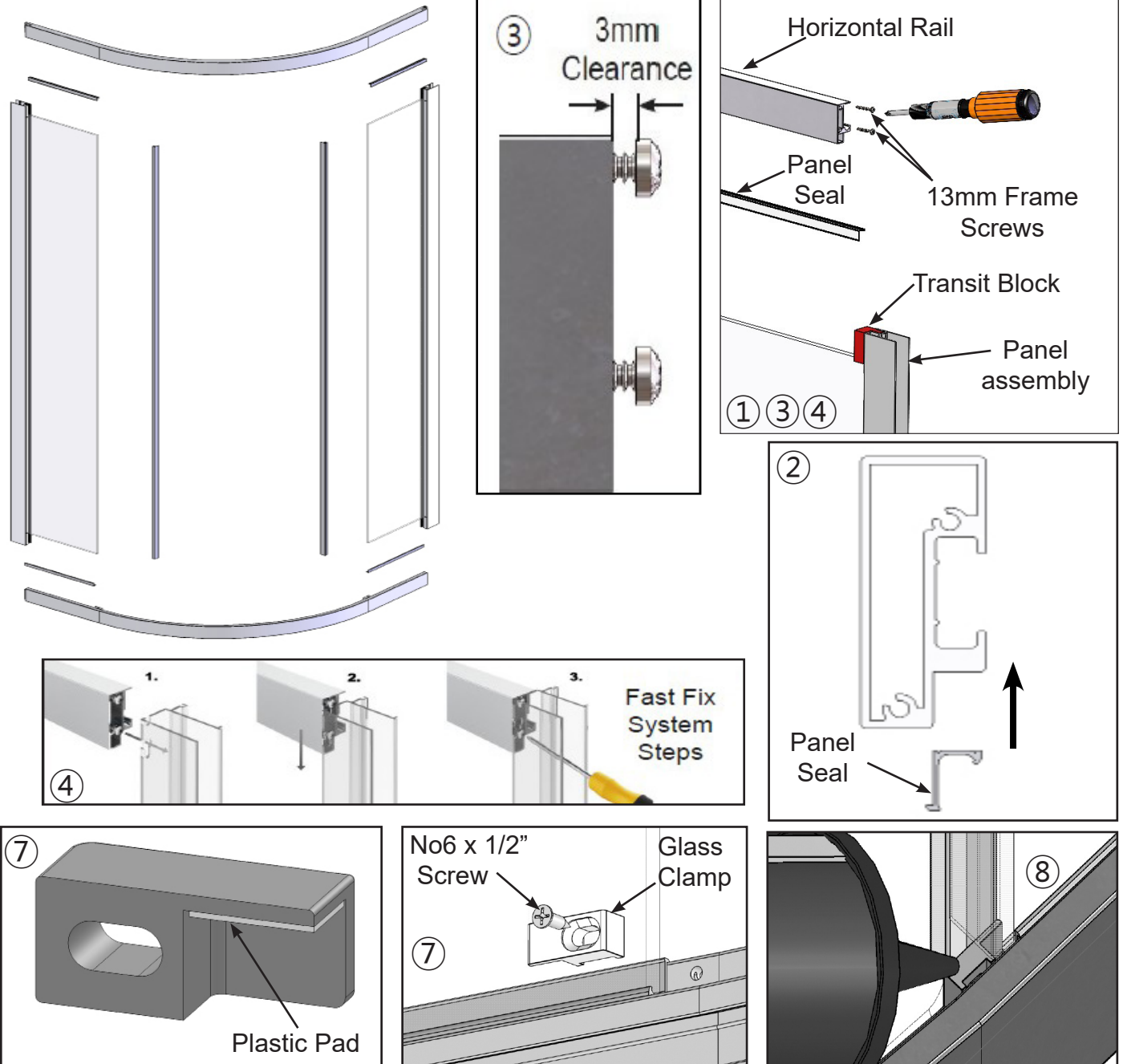
Step 2 - Fitting Wall Profiles



1. Drill three 4.5mm holes into the U-Channel on the wall profiles, approximately 100mm from each end and the last one positioned in the centre. Place the wall profiles 15mm in from the outside of the tray, the lip section of the wall profile must face inward towards the shower. Make sure the wall profile is completely vertical using a spirit level and mark the wall through the drill holes with a pencil.
2. Drill the wall with a 6mm Masonry Drill Bit (not supplied) where the Wall Profiles are to be positioned. Fit the Wall Plugs supplied (if going in to a brick or block wall). If going into a plasterboard wall you will need to purchase appropriate wall fixings. Wipe clear all debris from the Tray before referring to the next stage.
3. Where both Wall Profiles are to be positioned on the Tray, place a bead of Bathroom Sealant (not supplied) the width of the Wall Profile along the tiled wall. Screw the Wall Profiles to the wall with 40mm Screws (supplied). Do not over tighten the screws into the Wall Profiles as this will misshape the Wall Profile. Ensure the Wall Profiles stay completely vertical throughout this procedure using a Spirit Level.
 - **No sealant should be present between the Wall Profiles and the tiled walls vertically prior to screw fixing.**
4. Seal the gap between the Tray and Wall Profiles with a Bathroom Sealant (not supplied).
 - **Failure to carry out this procedure correctly can result in serious water damage and is not covered by the Guarantee.**

Step 3 - Assembling the Horizontal Rails to the Fixed Panels

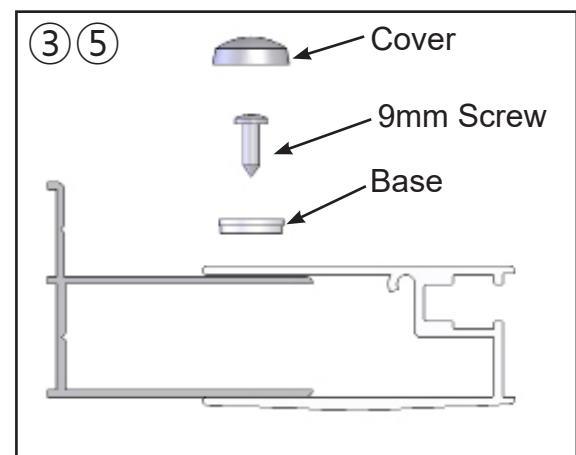
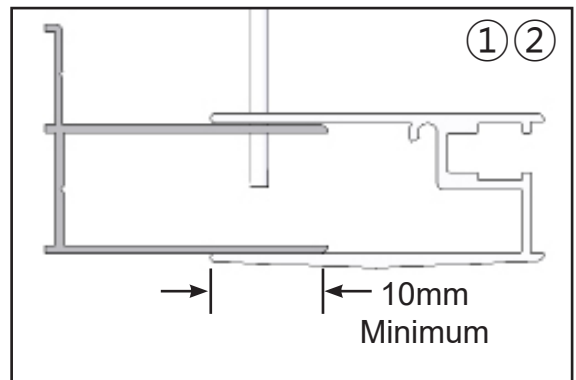
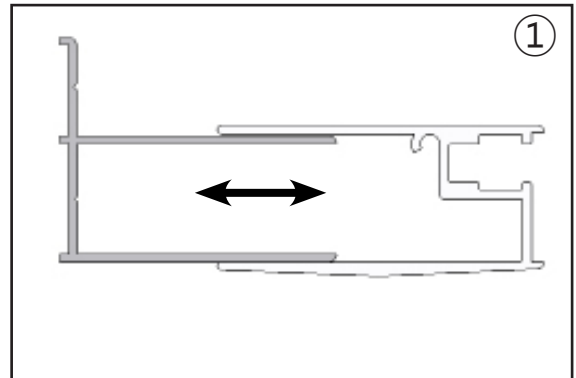
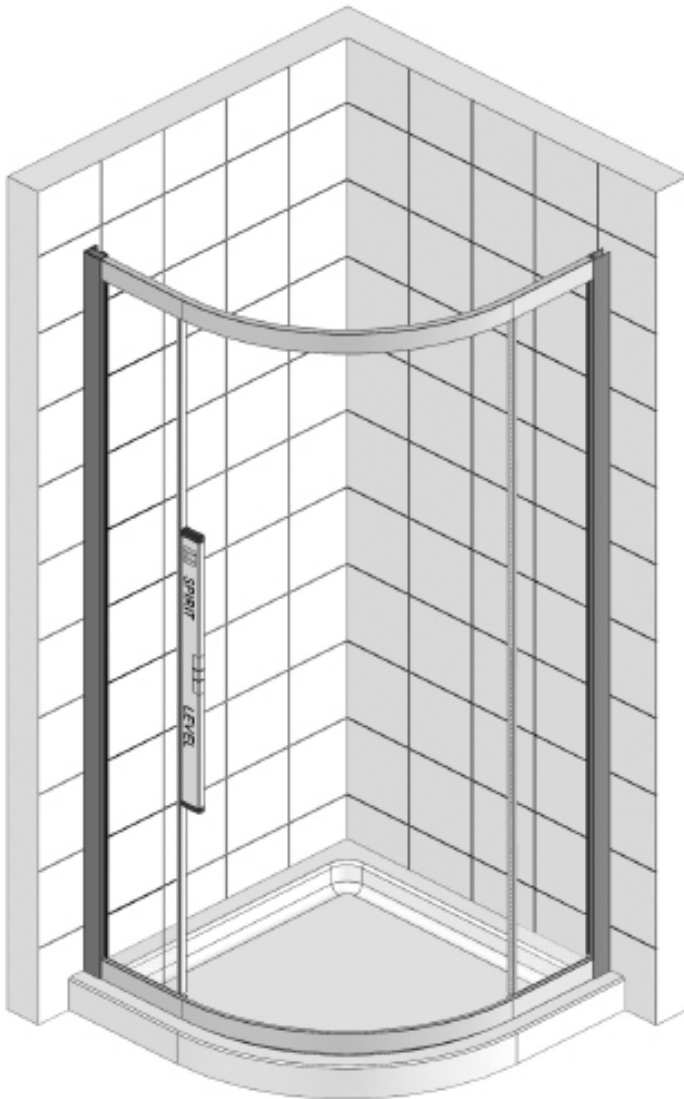
NOTE: Prepare an area that the product can be partially built. 2 people will be required to carry out the following procedures.



1. Remove the Transit Blocks (Red) from each end of the vertical aluminium on the fixed panels.
2. Sit one of the horizontal rails onto the floor and place a "L" shaped Panel Seal where the panel glass will sit.
 - **NOTE: There is a long side and short side to the seal, make sure you fit the seal the correct way.**
3. Screw the 13mm Frame Screws in the glass panel side of the horizontal rail and in the door vertical aluminium side, ensure there is a 3mm clearance between the screw head and the aluminium.
4. Following the fast fix system steps as shown above, offer the key slot holes of the panel assembly onto the pre-fitted horizontal rail screws until it slots in, then drop into position.
 - **NOTE: Ensure the panel seal stays in position when fixing the panel assembly and horizontal rail.**
5. With the panel assembly in position, adequately tighten both screws, repeat the same process for the opposite panel.
 - **IMPORTANT: Use a hand screwdriver in order to NOT over stress the screws.**
6. When the bottom is complete, place the "L" shaped panel seal on the top of the panel glass and slot the top horizontal rail into the key slot hole on the panel assembly, drop into position and tighten screws. Repeat on the other side.
 - **Remember 2 people will be required to do these procedures.**
7. With the frame assembled, fit the glass clamps (left hand shown) to secure the glass to the horizontal rail using the No6 x 1/2" countersink screws. Ensure the plastic pad is between the top of the glass and the clamp.
 - **Ensure the clamp is pushed up tight to the glass edge.**
8. Seal the gap in the glass clamps with silicon sealant to prevent leaking from this area.
9. Fit the vertical panel seals between the horizontal rails ensuring the flipper part is facing inwards.

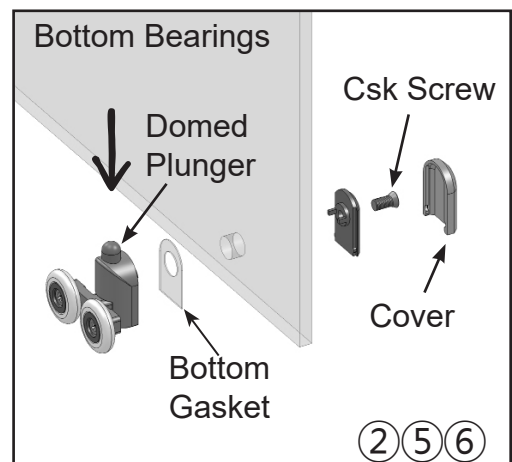
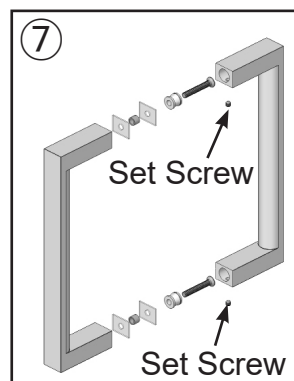
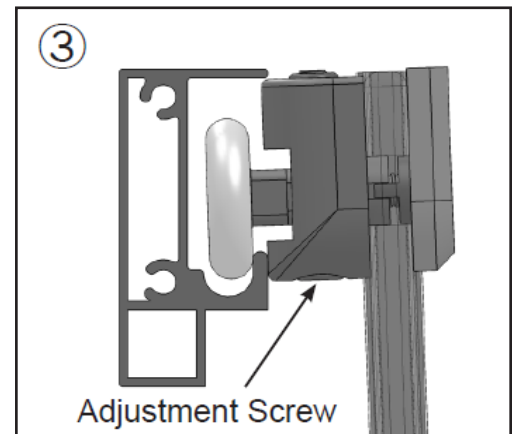
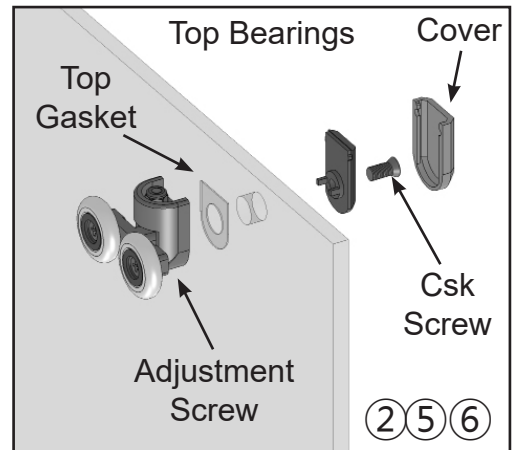
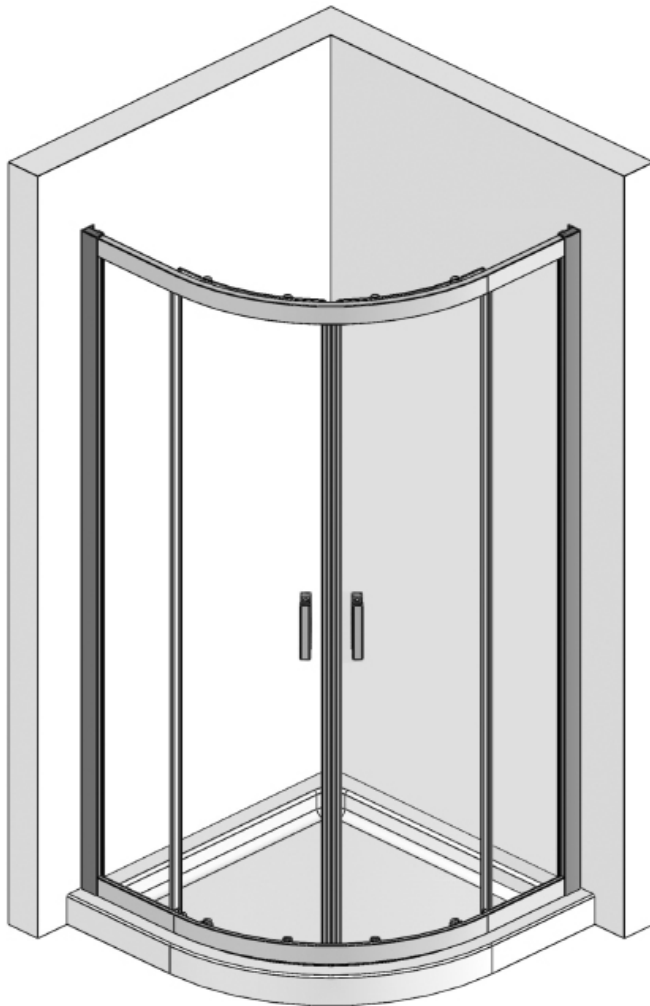
Step 4 - Fixing the Enclosure

NOTE: 2 People will be required to carry out the following procedures.



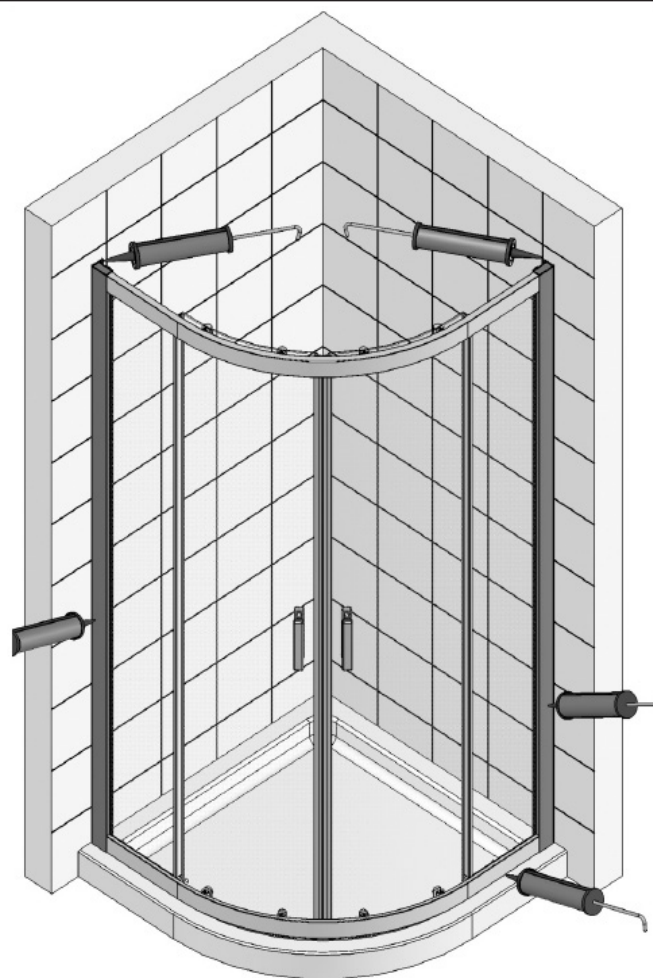
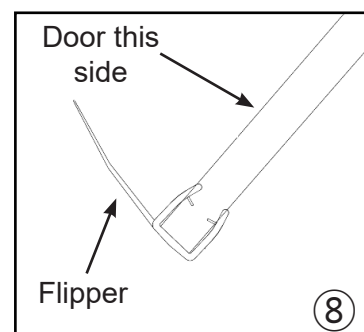
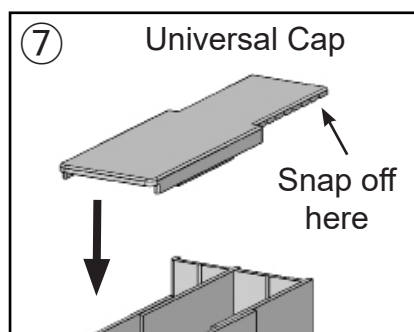
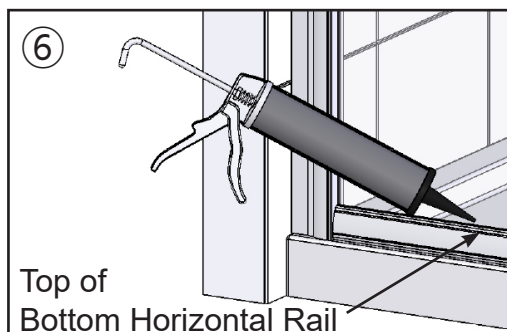
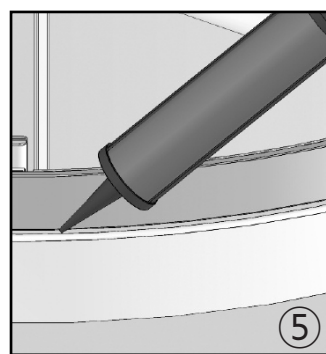
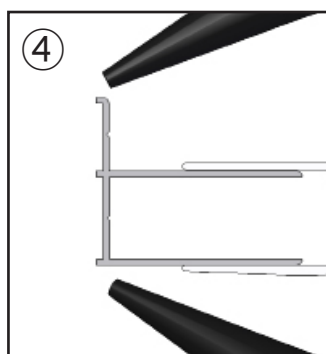
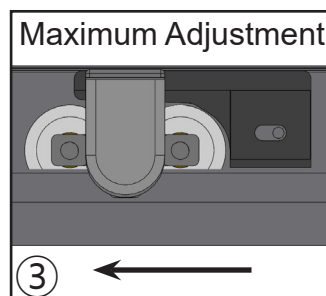
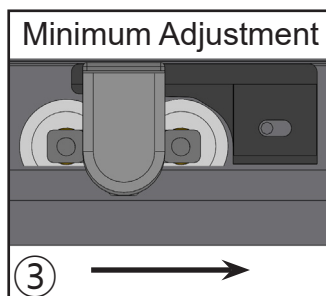
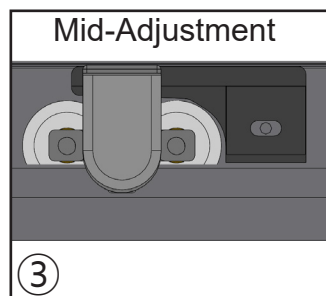
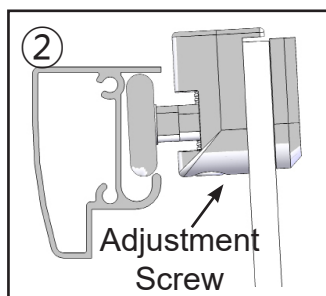
1. Position the framework on top of the tray and place one end fully over the wall profile, then move the framework back into the other wall profile and position it centrally between the two.
 - **There should be a minimum of 10mm for screw fixing.**
2. Place a spirit level on the leading edge of one of the fixed panels and set it so it is completely vertical. With the 2.5mm drill bit (supplied) drill through the vertical into the wall profile approximately 100mm from the top and bottom and one in the centre.
3. Fit the screw bases to the 9mm screws and fix the framework to the wall profile.
4. For fixing the other side of the framework repeat the above.
 - **Ensure the framework is central between the wall profiles and completely vertical.**
5. Push fit the screw covers.

Step 5 - Fitting the Doors



1. Place the Door Glass onto a level scratch free surface.
2. Carefully dismantle the Bearing Assemblies, place the gasket on the outside of the glass (Bearing Side) then re-assemble onto the Door Glass. Make sure you have the correct bearings at the top and bottom and that the wheels are on the outside of the glass.
 - **IMPORTANT: Fit the Bearing Assemblies to the doors using a hand screwdriver only (Do NOT use a Drill).**
 - **NOTE: The bottom bearings have a domed plunger.**
3. Carefully place the assembled door inside the tray. With the Door the correct way round offer the Top Bearings into the top Horizontal Rail, when in position lower the Door and press the plungers down on the Bottom Bearing assemblies so that the Door can be placed into the Bottom Horizontal Rail.
 - **NOTE: When fitting to the top offering the door at a slight angle will make it easier to fit into the rail.**
4. For fitting the other door repeat the above.
5. Carefully check if the doors are parallel (DO NOT LET THE DOORS CLASH). If the doors are not parallel there is a screw in the Top Bearings for adjustment purposes, adjust as necessary to align the Door.
 - **DO NOT overtighten the adjustment screw (there is 5mm of adjustment on each bearing assembly).**
6. When satisfied with the fitting of the Door fit the Inner Bearing Covers.
7. Remove the handles from the packaging, using the Allen Keys (supplied) remove the screws and split the handle assemblies. Fit onto the door glass ensuring the Set Screws are on the inside of the enclosure.

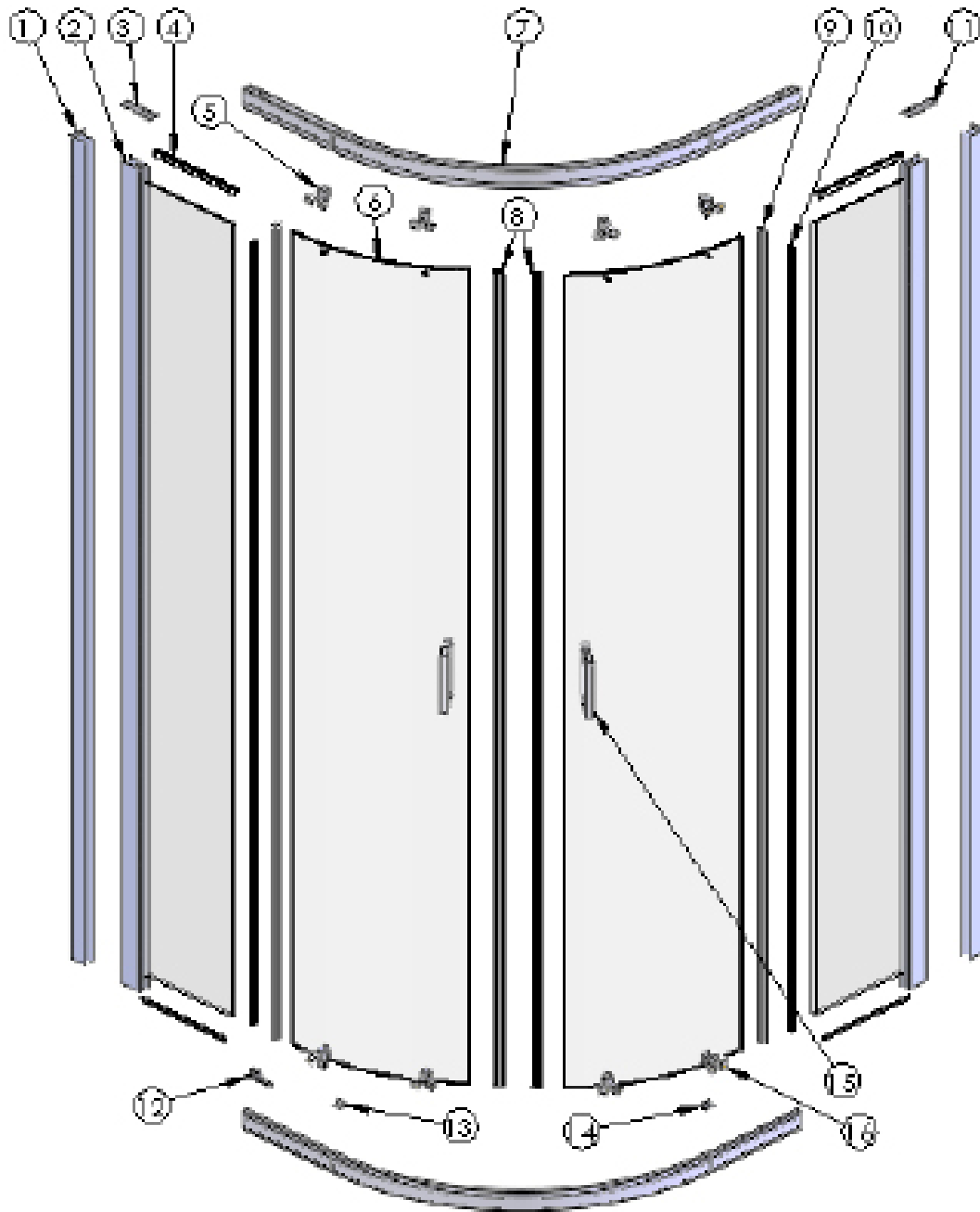
Step 6 - Door Adjustment, Trims and Sealing



1. Fit the vertical magnet seals to the doors at the handle side, fit the other way round to each other. Check that the Doors are running smoothly. Pulling the Magnets away from the glass slightly will help the door closure.
2. The Doors can be adjusted by turning the Screws on the Top Bearing Assemblies using a screwdriver. Turn the screws up or down until you are satisfied with the Door.
3. With the Door adjusted, fit the Door Stops so they just make contact with the wheel of the bearing when open, this is to prevent excessive movement and rocking. The Door Stops can be moved left-to-right so that the wheel contacts it between its minimum and maximum adjustment (see diagrams).
 - **IMPORTANT: Adjust the Door Stops top and bottom, failure to do so may result in breakages.**
4. Seal both sides of the Wall Profiles vertically inside and outside where they meet the tiled Walls.
5. Fully seal the Bottom Horizontal Rail to the top of the tray on the outside only from wall to wall.
6. Fully seal horizontally between the top of the Bottom Horizontal Rail and the Panels Glass on the outside.
 - **IMPORTANT: Failure to carry out stages 4,5 and 6 may result in serious water damage and is not covered under the terms of the guarantee.**
 - **DO NOT seal the base of the product to the inside, failure to comply may result in the product leaking.**
7. Fit the Universal Top Caps, these can be shortened to fit by snapping off at the relevant groove. Apply a small amount of silicon to the underside to help keep in place.
8. Fit the vertical door seals to the outer edges of the door glass ensuring that the soft flipper part points towards the Panel Glass (shorten as required).
9. Please allow 24 hours for the sealant to cure prior to using the enclosure.
10. Place the branding badge in a prominent position on a none moving part of aluminium.

Spare Parts

If you need to replace any damaged parts please see illustration below for parts list then call Customer Relations on 01325 328033



Part No.	Description	Q'ty	Part No.	Description	Q'ty	Part No.	Description	Q'ty
1	Wall Profiles	2	11	Top Cap (Right Hand)	1			
2	Panel Assemblies	2	12	Door Stop	8			
3	Top Cap (Left Hand)	1	13	Glass Clamp (Right Hand)	2			
4	L Shaped Seals	4	14	Glass Clamp (Left Hand)	2			
5	Bearing Assemblies (Top)	4	15	Handle Assemblies	2			
6	Door Glass	2	16	Bearing Assemblies (Btm)	4			
7	Horizontal Rails	2						
8	Door Magnet Seals	2						
9	Door Vertical Seals	2						
10	Panel Vertical seals	2						

TROUBLE SHOOTING GUIDE

Problem	Solution
Leaking	<ol style="list-style-type: none">1. Check the tray has been sealed correctly prior to installation of the enclosure.2. Check that the inside gap between the Tray and Wall profiles has been sealed correctly.3. If the inside joint between the enclosure and the tray top is sealed, this will cause leakage - sealant must be removed.4. Ensure the wall profiles on the tiled walls are sealed both vertically inside and outside.5. Ensure the Panel Glass and the top of the Bottom Horizontal Rails are sealed horizontally.6. Ensure the joint between the enclosure and tray top is sealed. <p>Important: This enclosure should be water tested conforming to BS EN 14428</p>
Enclosure Alignment on the Tray/Floor	<ol style="list-style-type: none">1. Is the enclosure fitted onto a tiled wall?2. Are the Wall Profiles fitted 15mm from the front outside edge of the tray?3. Are the wall profiles completely vertical?4. Check if the tray is level and the enclosure is completely vertical.
Door not running Smoothly	<ol style="list-style-type: none">1. Ensure both wall profiles are completely vertical.2. Ensure the tray is completely level.3. Check the doors are hanging vertical and are running parallel to each other.4. Add some <u>silicon grease</u> or similar to the running track of the horizontal rails.5. Are the bearing assemblies adjusted correctly, the adjustment screw hasn't been over tightened? Are the gaskets fitted between the glass and the Bearings Assemblies6. Check the fixed panels are completely vertical.
Door Alignment	<ol style="list-style-type: none">1. Ensure the tray is completely level.2. Ensure both wall profiles are completely vertical.3. Check the fixed panels are completely vertical.4. Ensure the enclosure is completely vertical and level.5. Check the doors are hanging vertical and are running parallel to each other.
Gap between Doors	<ol style="list-style-type: none">1. Check the wheel bearing assemblies have been adjusted correctly.2. Have the Door magnet seals been pulled towards each other?3. Rotating the centre Door Stops will minimise door movement.

Some important information to help you Maintain your product.

The following information is all you need to keep your product looking new.

Clean your product using a mild detergent diluted in water and then polished off using a soft cloth.

If you live in a hard water area, periodically clean your product using a 50/50 solution of white vinegar and water. The solution should be left on the enclosure for approximately 5 minutes then rinsed off using warm water. This method of cleaning should remove lime scale residue.

Simple Maintenance

Our products are generally maintenance free, however it may be necessary to lubricate wheel assemblies and other moving parts from time to time.

It is strongly recommended that a quality silicone spray is used.

A list of Don't's:

1. Don't use acidic based products which are unsuitable for cleaning enamel surfaces.
2. Don't use abrasive cleaners or cleaners using bleach or solvents, these products will adversely affect the finish of the aluminium profiles.
3. Don't use scouring pads, powder or any sharp instruments when cleaning the enclosure.

Should you experience any problems during installation please refer to the Trouble Shooting Guide or contact Customer Relations on:

+44 (0) 1325 328033

To enable customer relations to provide you with an excellent level of service it is important that you quote your product Code and Reference Number - these can be found on the Guarantee card.