



BY CAVALIER BATHROOMS

# Equate 9410 PAIR OF ROUND SIDE VALVES- CHROME

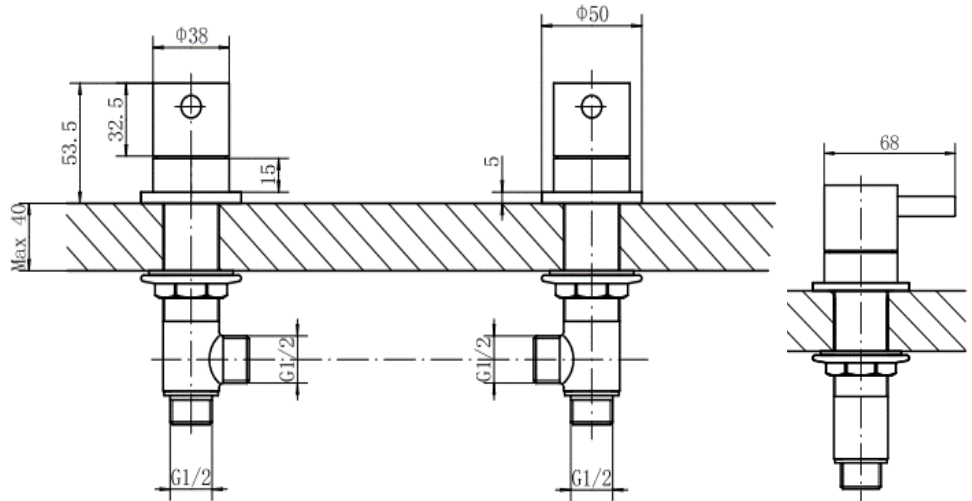
## PRODUCT SPECIFICATION

Product Code: 9410  
 Finish: Chrome  
 Description: Pair of Round Side Valves  
 Inlet Connections: 1/2 BSP  
 Construction: Body: Brass  
 Handle: Zinc  
 Cartridge: G1/2" quarter turn cartridge  
 Gross Weight (kg): 1.05



## ADDITIONAL INFORMATION

- Chrome finish
- 2 year guarantee\*



## WORKING PRESSURES (bar)

Min Pressure	Max Pressure	Best Performance
0.2 bar	5 bar	2 bar

## FLOW RATES (litres per minute)

0.5 Bar	1 Bar	3 Bar
11.3	15.7	26.1

\* For full details of our guarantee please refer to our website. Our accessories are backed by a 2 year guarantee, this is only valid to customers who complete and submit the online Niagara® Guarantee Registration Form within 30 days of installation.

To register and activate your guarantee visit: [www.cavalierbathrooms.co.uk](http://www.cavalierbathrooms.co.uk)

Products are supplied with full installation instructions and fixings. All measurements in mm and are nominal.