

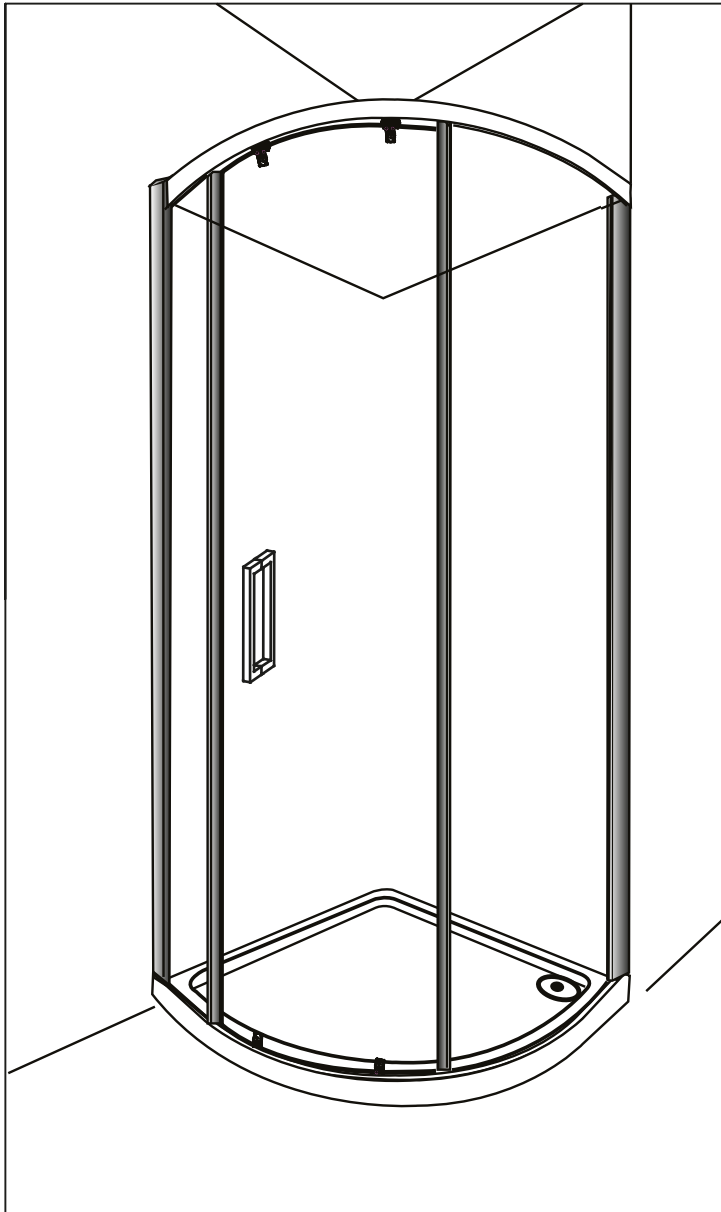
venturi 8

Single Door Quadrant



INSTALLATION INSTRUCTIONS

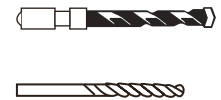
www.aquadart.co.uk



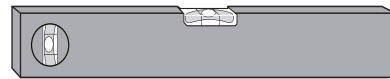
Tools Required



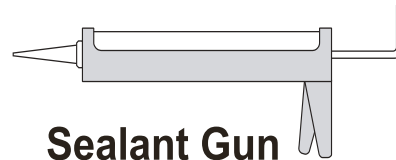
Drill



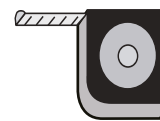
**6mm Masonry Drill
2.75mm HSS Drill**



Spirit level



Sealant Gun



Tape Measure



Pencil



**PH2 TYPE
Screwdriver**

Please note hand tools **NOT** supplied.

IMPORTANT

This product should be installed by a suitably qualified and proficient person. The fitting instructions should be followed carefully to ensure a proper and safe installation. Failure to follow these instructions could result in future injury.

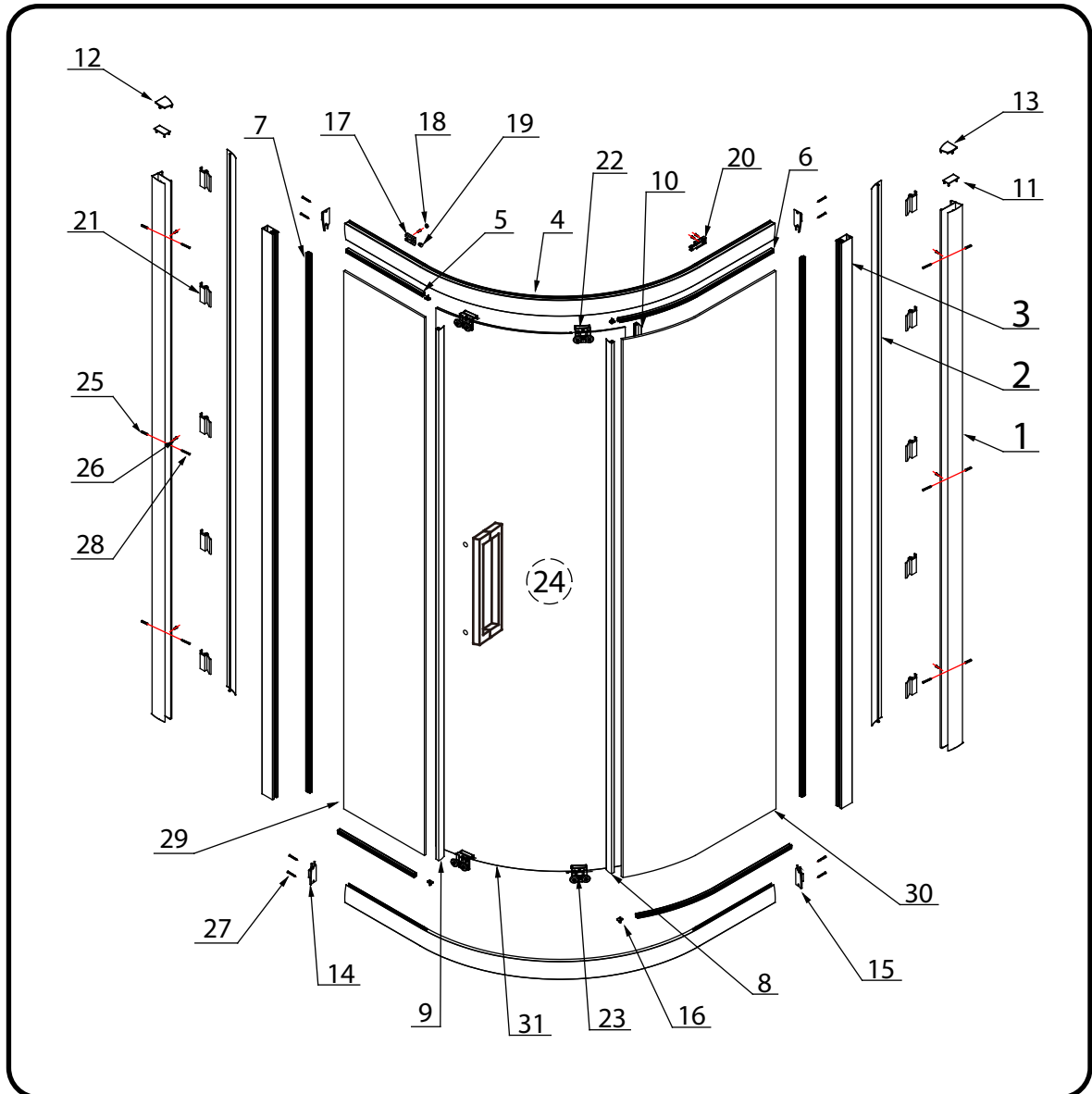
These instructions and list of parts assume that installation is done against solid/tiled walls.

Please check this product for damage prior to starting the installation. No claims can be made after the product has been fitted.

PLEASE NOTE :The minimum and maximum adjustment sizes noted on the product brochures are based on perfectly plumb walls and trays.

USE SAFETY EYE-WEAR WHEN DRILLING

COMPONENTS AND BOX CONTENTS



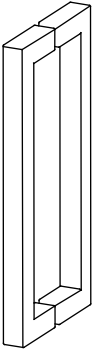
Box Contents

SN	Description	Qty	SN	Description	Qty
1	Wall Profile	2	17	Stopper	4
2	Cover Profile	2	18	Cover Cap	4
3	Upright Profile	2	19	Buffer	4
4	Horizontal Profile	2	20	Soft Closing Buffer	1SET
5	U Shape Seal - A	2	21	Profile Clip	10
6	U Shape Seal - B	2	22	Top Roller	2
7	Seal	2	23	Bottom Roller	2
8	Upright Seal-6-14.5mm	1	24	Handle	1
9	Upright Seal-6-24mm	1	25	Wall Plug	8
10	Upright Seal-8-16.5mm	1	26	Screw ST3.5x10	8
11	Upright Profile Cap	2	27	Screw ST4x30	8
12	Wall Profile Cap-L	1	28	Screw ST4x30	8
13	Wall Profile Cap-R	1	29	Side Glass Panel - A	1
14	Horizontal Profile Cap-L	2	30	Side Glass Panel - B	1
15	Horizontal Profile Cap-R	2	31	Moving Glass Panel	1
16	Glass Clip	4			

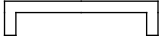
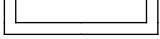




FIXING KIT COMPONENTS, SITE CONDITIONS


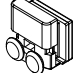



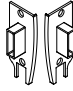
FIXING KIT





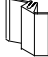

Venturi 8 Handle



Handle × 1

-  Handle inside part × 1
-  Handle outside part × 1
-  Washer × 4
-  Round head screw × 2
M5×24
-  Screw nut × 2pcs
-  Jackscrew × 2 M4x8

-  Top Roller × 2
-  Bottom Roller × 2
-  Cover Cap × 4
-  Wall Profile Cap × 2
-  Upright Profile Cap × 2
-  Horizontal Profile Cap × 4

-  Screw ST4x30
16 pcs
-  Wall Plug
6 pcs
-  Screw 3.5x10
8 pcs
-  Glass Clip
x 4
-  Profile Clip
x 10
-  Soft Closing Buffer
X2

IMPORTANT - Missing Components

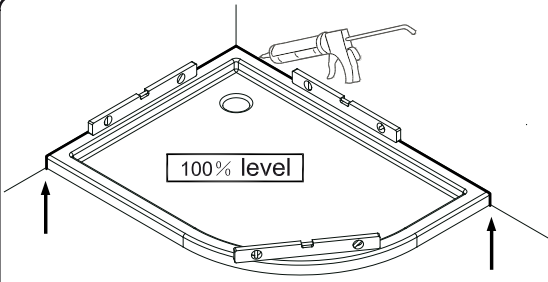
Please check this product for missing components prior to installation.

For spare parts visit www.aquadart.co.uk

IMPORTANT - Installation site

1. Ensure the top surface of the shower tray on which the enclosure will be installed is level in every direction.
2. The tiles or other wall finishing should be effectively sealed at tray edges.
3. Tiles should extend at least to the corner of the tray and a minimum of 1.9 meters from the top of the tray.

PROCEDURE



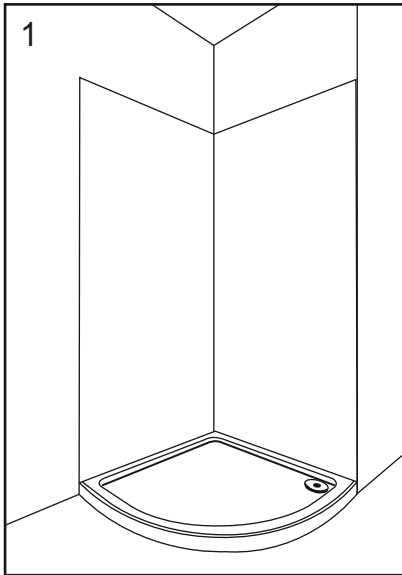
TRAY MUST BE 100% LEVEL IN ALL DIRECTIONS

Ensure the shower tray is level in all directions and is properly sealed to the wall. The wall must be tiled down to the top edge of the tray. **Do not angle out bottom tile.**

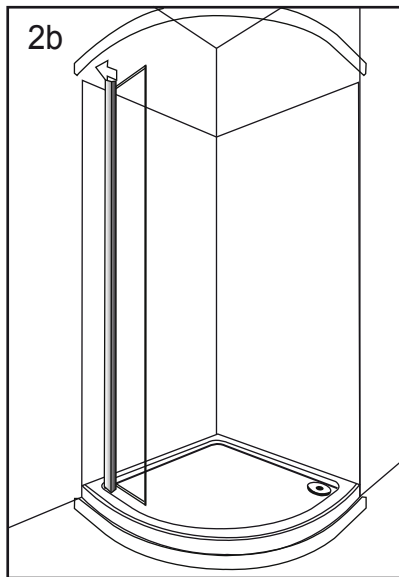
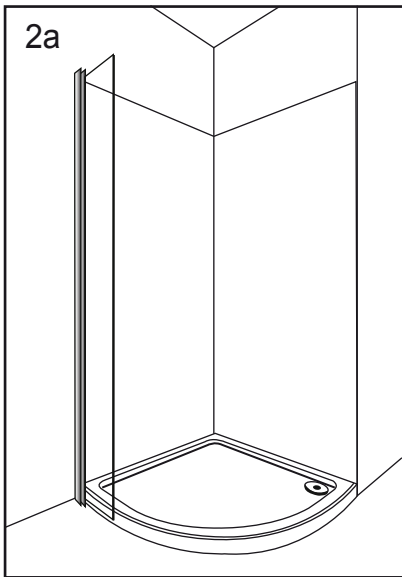
TRAY MUST BE SEALED FULLY AROUND WHERE THE TRAY MEETS THE WALL.

Single Door Quadrant

INSTALLATION INSTRUCTIONS

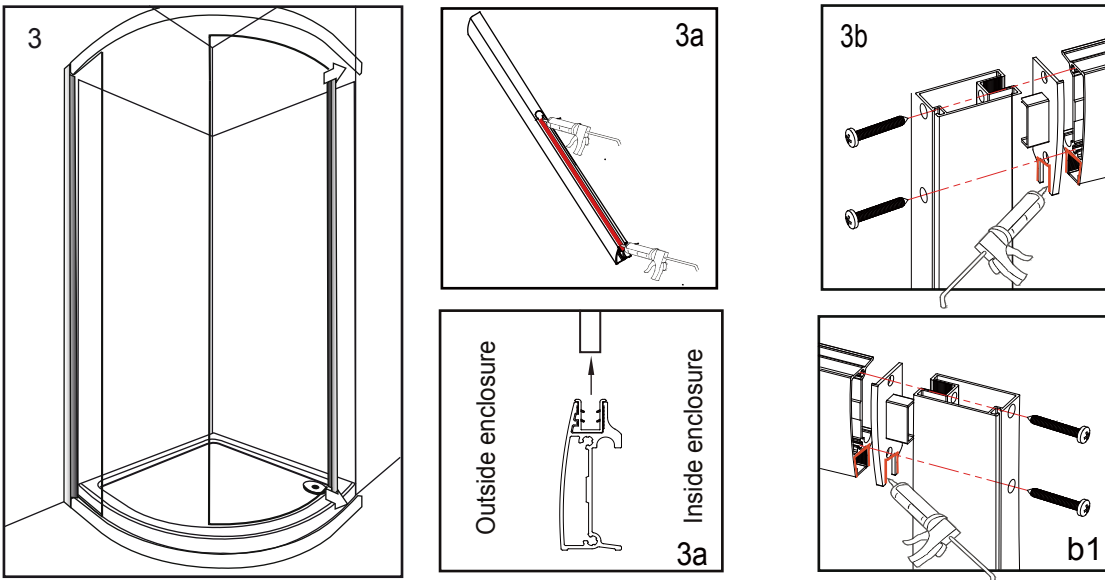


1 - Install the shower tray following the tray installation guide.



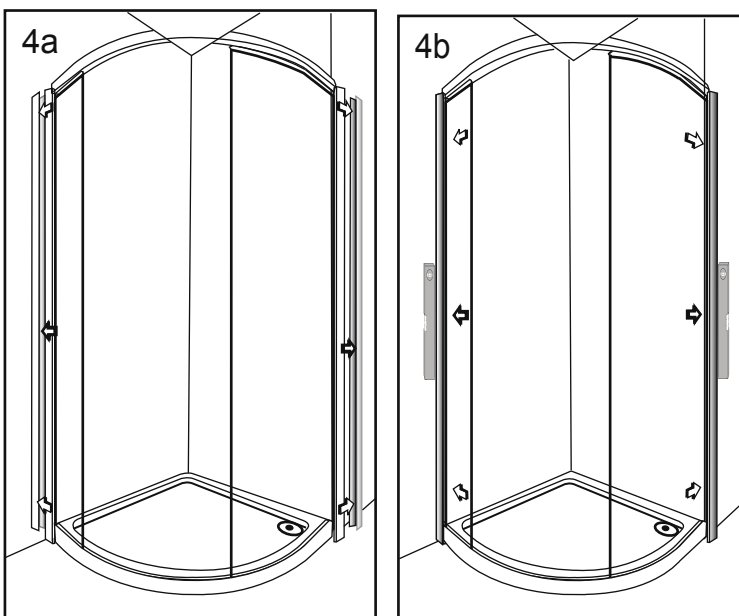
Single Door Quadrant

INSTALLATION INSTRUCTIONS



3a - Drop the silicone into the groove of the rail profile along with the pre-fitted seal, then push 1x horizontal rail onto the bottom of 1x fixed panel.

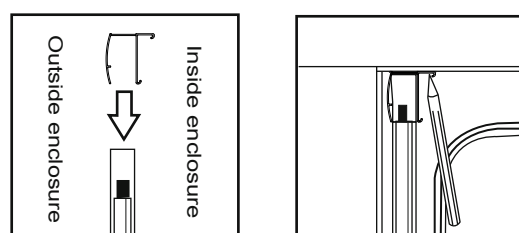
3b - Insert the horizontal profile cap (left and right) then fix the pieces together using 2 x ST 4x30 fixing screws through the metal profile of the fixed panels and into the end of the horizontal rail, then attach the other fixed panel to the horizontal profile in the same way. Once both fixed panels are attached to the bottom horizontal rail repeat for the top horizontal rail. Note: put a little bit of silicone in the corner of the profile cap and the horizontal profile as the diagram shown (B), the other size needs sealing in the same way (b1).



4a - Push the wall channels onto the edges of the assembly as illustrated and then position the assembly onto the shower tray as shown (roughly 10mm from the outer edge of the tray).

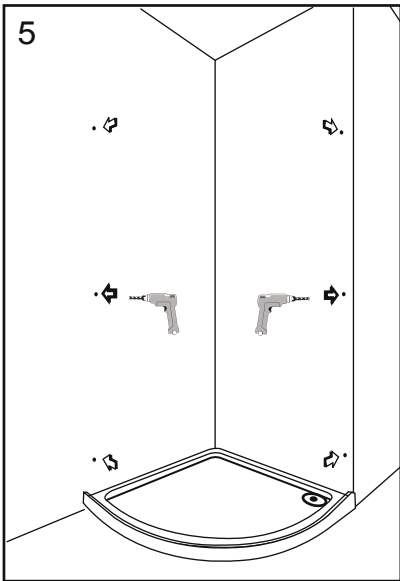
4b - Level the wall channels using a spirit level and mark the 4 pre-drilled screw points through each of the wall channels onto the wall.

NOTE: you may find it easier to mark and drill the wall if you apply masking tape to it first.

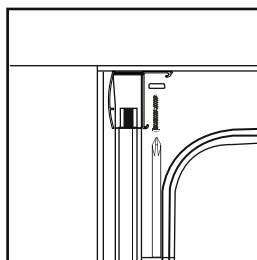
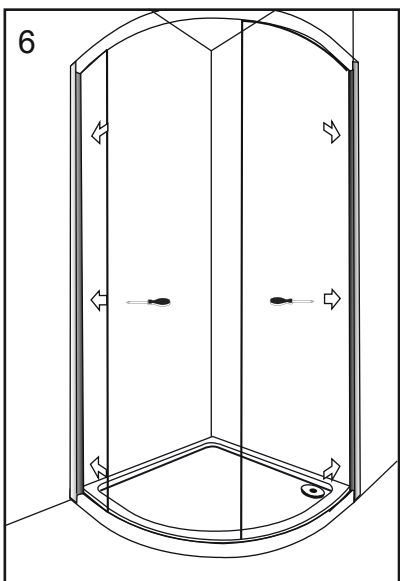


Single Door Quadrant

INSTALLATION INSTRUCTIONS



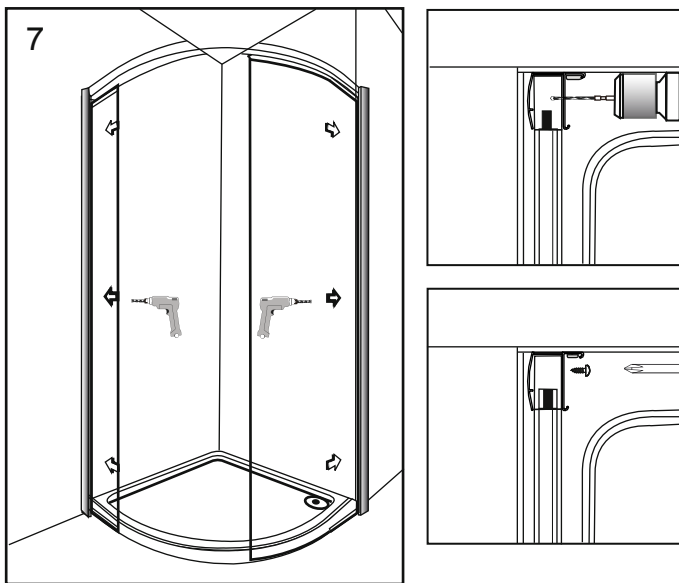
5 - Remove the assembly and drill the marked points using an 6 mm masonry drill bit, once this is done insert 6 x wall plugs into the holes.



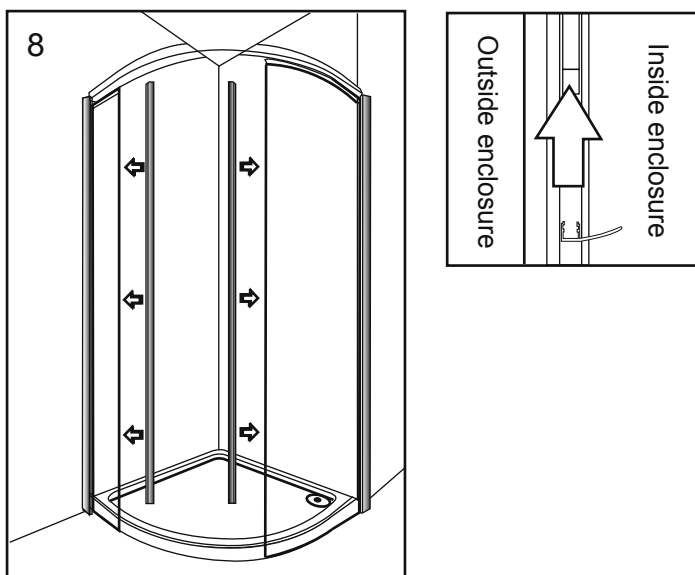
6 - Reposition the assembly and fix the wall channels to the wall using 8x ST4x30 long screws (4 per channel)

Single Door Quadrant

INSTALLATION INSTRUCTIONS



7 - Whilst ensuring that the bottom of the assembly is held snug to the shower tray and that all parts are level and upright, fix the assembly to the wall channels by drilling through the pre drilled holes in the wall channels into the profiles of the fixed panels using a 2.75 mm metal drill bit. Then secure using 8 x ST3.5x10 short screws (4 per wall channel).

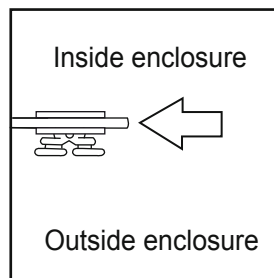
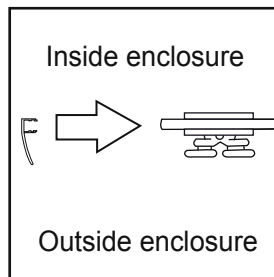
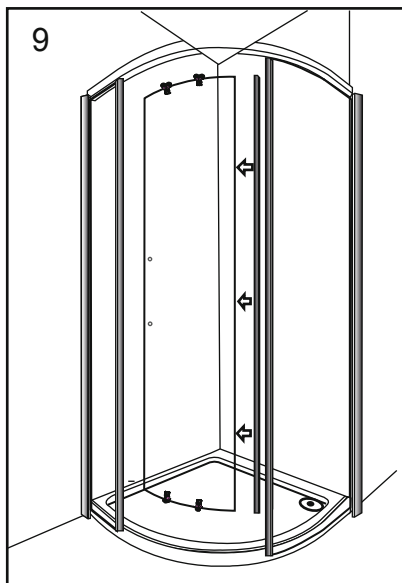


8- Push seal No.8 the smaller fixed panel seal onto the large fixed panel and seal No.9 the larger of the fixed panel seal onto the small fixed panel where the door closes onto

Note: if all seals are the same length then some trimming may be required

Single Door Quadrant

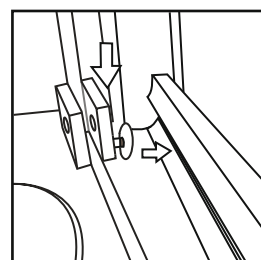
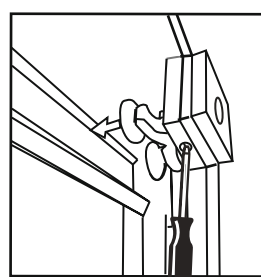
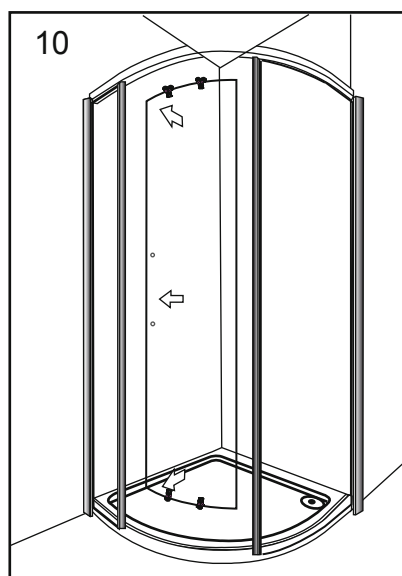
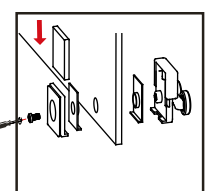
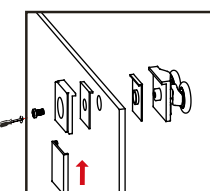
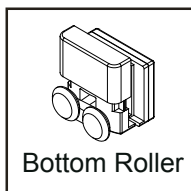
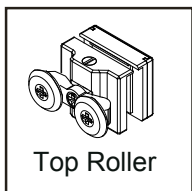
INSTALLATION INSTRUCTIONS



9-Attach the handle making sure that the rubber washers that come with the handle are placed between the handles and the glass.

The next step is to push seal No.10 the longer water seal onto the back edge of the door,(the flipper seal should be facing the fixed panel)

Fit the rollers to the door. Ensure that the wheels of the rollers are facing away from the enclosure. Ensure the top roller are fixed to the top of the door and the bottom rollers are fixed to the bottom of the door



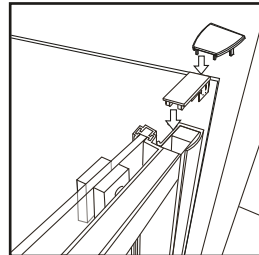
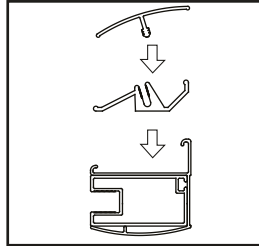
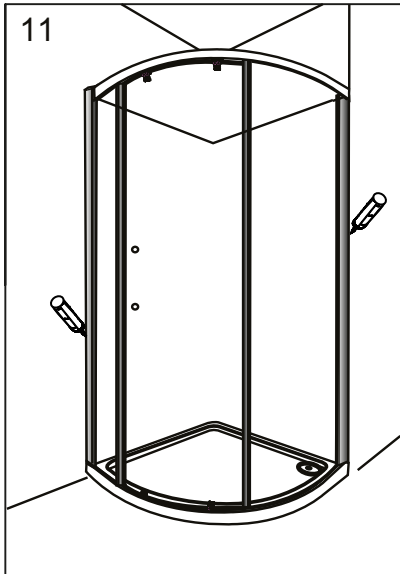
10 - Once the door is ready it needs to be hung in the enclosure.

Start by lifting the door up and guiding the top support wheels into the top horizontal rail, then using the quick release mechanism on the bottom wheels guide them into the bottom horizontal rail as shown.

If the wheels do not fit into the rail, the door can be lowered by adjusting the top runners, The bottom runners are also adjustable.

Single Door Quadrant

INSTALLATION INSTRUCTIONS



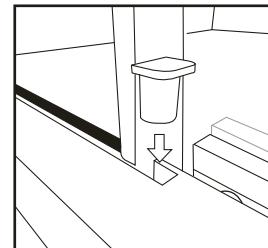
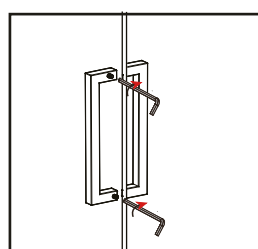
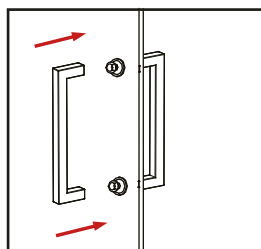
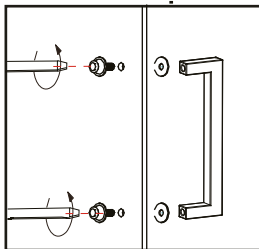
11 - Once you are happy that the installation is correct and that the doors are running smoothly, push the cover caps onto the top of the wall channels as shown, (smaller top cap first followed by the larger wall channel top cap).

Next push the wall channel snap on covers onto the inside edge of the wall channels.

Once this is done silicone the outside of the enclosure where the metal profiles meet the walls and the tray.

To finally seal the installation, plug the small holes at the end of the fixed panel glass with a dab of silicone and insert the glass clips as illustrated.

Do not use the enclosure for 24 hours.



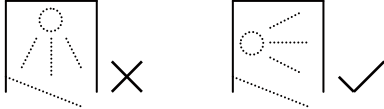
AFTERCARE

Cleaning Instructions

It is important to clean your Aquadart shower enclosure after every use. Please wipe down all glass and metal parts with a clean soft cloth. Ensure that all residual water on the glass is removed after every use.

Usage

For reliable, watertight performance from your Aquadart enclosure your shower head should not be positioned so that the shower sprays directly onto the enclosure door. Failure to comply with this may cause the shower to leak. Outward opening doors may cause water to drip onto the floor, please ensure that the floor covering immediately outside the enclosure will not be affected by water.



Clean & Clear™
Easy Clean Glass Treatment

This product has been treated with Clean & Clear™ easy clean glass treatment, a protective barrier which creates a 'non-stick' surface on your glass, helping to resist lime scale build up and water spots. For further information on Clean & Clear™ please visit www.aquadart.co.uk

Aftercare

Clean & Clear™ glass can be cleaned with any suitable nonabrasive glass cleaner - with PH value of between 3-11; the coating will not be damaged. Avoid surfactants and heavily perfumed products. Vinegar and water based products are very effective. Do not use abrasive scrubbing cleaners or equipment for cleaning.

Warranty

Limited 5 year Warranty for Clean & Clear™ treatment: To guarantee treated surfaces will remain more repellent than untreated glass for 5 years from start of use, as long as basic manufacturer maintenance recommendations are followed and no harsh or abrasive cleaners are used.

AQUADART

Riverside Business Park, Royd Ings Avenue, Keighley, West Yorkshire, BD21 4AF
For technical / aftersales queries, please visit our website : www.aquadart.co.uk
or Sales Tel : 01535 613830 Technical: 01535 613830 Fax: 01535 613831

