



BY CAVALIER BATHROOMS

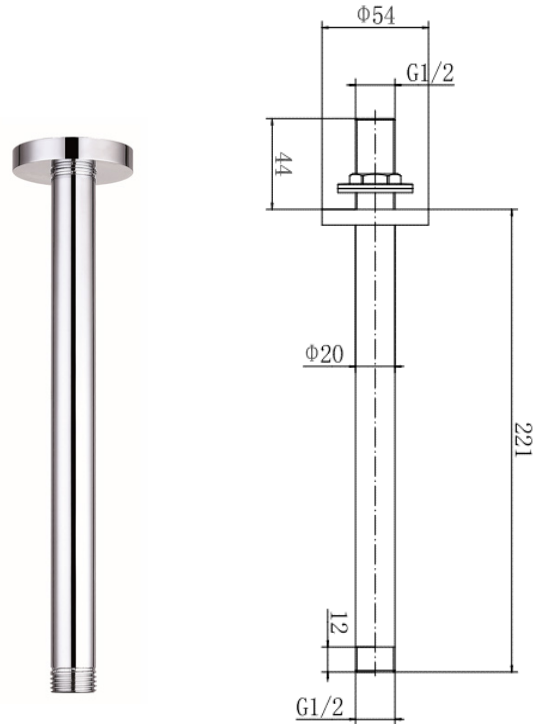
Equate 9342 ROUND CEILING ARM - CHROME

PRODUCT SPECIFICATION

Product Code:	9342
Finish:	Chrome
Description:	Round Ceiling Arm
Inlet Connections:	1/2 BSP
Outlet Connections:	1/2 BSP
Construction:	SS
Gross Weight (kg):	0.192

ADDITIONAL INFORMATION

- Chrome finish
- 2 year guarantee*



* For full details of our guarantee please refer to our website. Our accessories are backed by a 2 year guarantee, this is only valid to customers who complete and submit the online Niagara® Guarantee Registration Form within 30 days of installation.

To register and activate your guarantee visit: www.cavalierbathrooms.co.uk

Products are supplied with full installation instructions and fixings. All measurements in mm and are nominal.