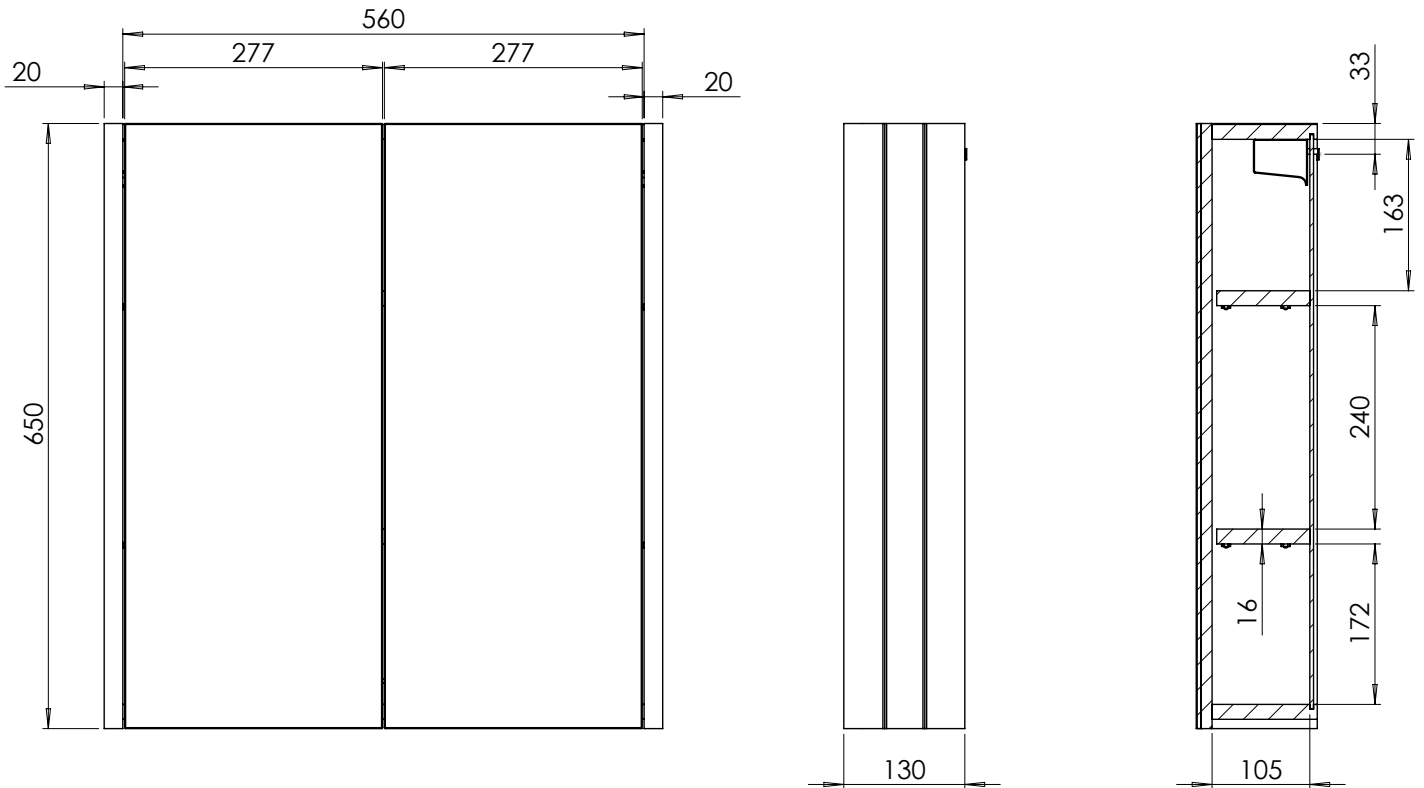


Technical Data Sheet

Marston 600 Double Door Cabinet

What's in the box: 1x MSCAB60.X + Fixings + Shelves

TAVISTOCK
inspiring bathrooms



Diagrams not to scale
All dimensions in mm
tolerance of +/-5mm

Materials

Carcass: Painted MDF

Door: Single sided 4mm mirror glass / 12mm MDF

*Dimensions are subject to change, customers are advised to measure actual product before commencing installation.

**Fixing point dimensions are for guidance only/the positions of wall fixing must be checked when product is received.

FAQ's

- | | |
|---|---|
| Q: What are the internal dimensions? (Width x Depth x Height) | A: 556 x 100 x 170mm. |
| Q: Are the shelves adjustable? | A: No, all shelves are fixed locations. |
| Q: What is the distance between hinge centres? | A: 400mm |
| Q: What is the door opening angle? | A: 110° |
| Q: What is the depth with the door fully open? | A: Approx 407mm |
| Q: What are the hanging brackets centres? | A: 545mm |
| Q: What's the thickness of the cabinet door glass? | A: 4mm mirror glass on 12mm MDF |
| Q: Are the hinges soft close? | A: Yes, the hinges are soft close. |

NOTE: Colours unique to Roper Rhodes - No RAL Code available