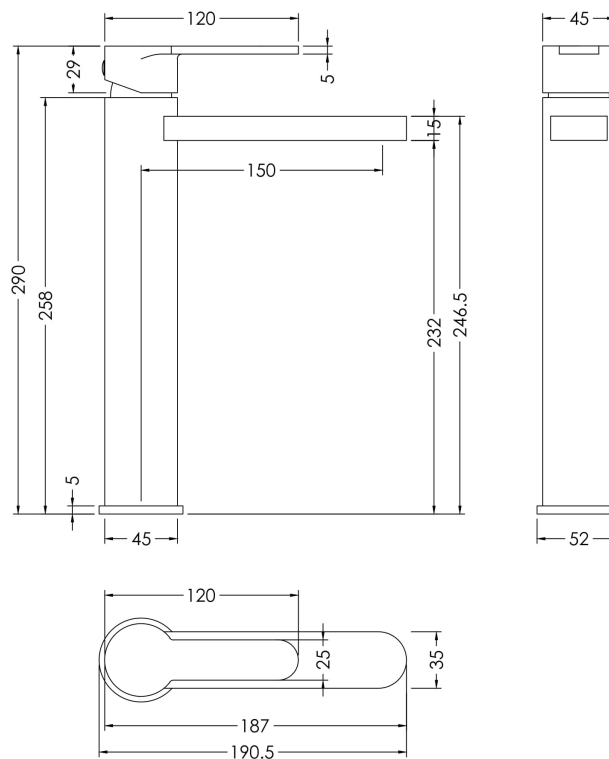


Sales Code: WIN870

Description: Windon High Rise Mixer (No Waste)



Product Dimensions

| | |
|-------------------|------|
| Height (mm): | 290 |
| Width (mm): | 50 |
| Depth (mm): | 192 |
| Length (mm): | |
| Nett Weight (kg): | 2.38 |

Packaging Dimensions

| | |
|--------------------|------|
| Height (mm): | 95 |
| Width (mm): | 265 |
| Depth (mm): | 325 |
| Gross Weight (kg): | 2.38 |

Packaging Data

| | |
|---------------|---------------------|
| Box Colour: | White Cardboard Box |
| Box Qty: | 0 |
| Label Size: | 0 x 0 |
| Label Colour: | White Label |
| Label Qty: | 0 |

Outer Box Dimensions (If Applicable)

| | |
|--------------------|---------------|
| Height (mm): | 560 |
| Width (mm): | 500 |
| Depth (mm): | 345 |
| Length (mm): | |
| Gross Weight (kg): | |
| Barcode: | 5056462621029 |

Product Details

| | |
|------------------------------|---|
| Country of Origin: | China |
| Fitting Instruction: | No |
| Product Material: | Brass |
| Control Type: | Manual |
| Waste Included: | Waste Not Included |
| Waste Type: | Not Applicable |
| WRAS Approval: Yes | Approval No: 2204060 |
| Valve/Cartridge Type: | Single Lever Cartridge |
| Colour/Finish: | Brushed Brass |
| Mount Type: | Deck |
| Operating Pressure (bar): | 0.2 |
| Flow Rates: (Litres Per Min) | 0.1 bar: 2.2 0.5 bar: 7.5 1 bar: 11.2 2 bar: 16.4 3 bar: 20.2 |
| Pipe Size: | 1/2" |
| Pipe Centres: | N/A |