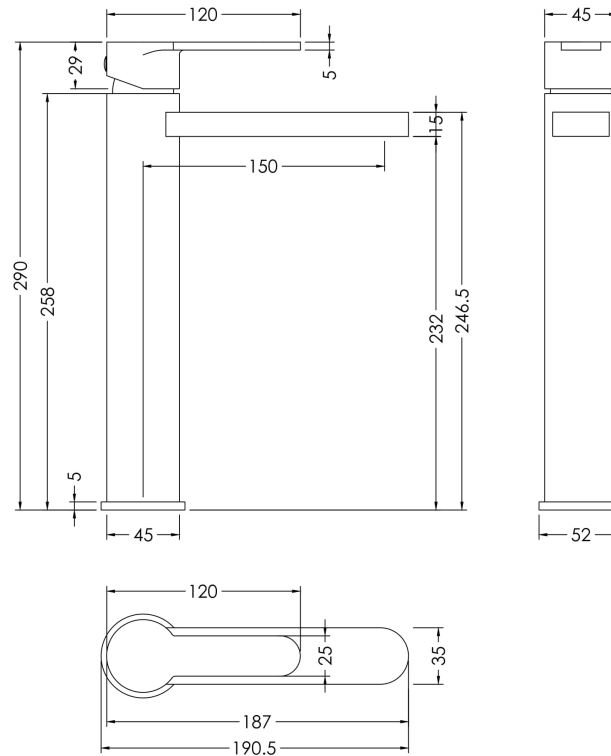


Sales Code: ARV870

Description: Arvan High Rise Mixer (No Waste)



### Product Dimensions

|                   |      |
|-------------------|------|
| Height (mm):      | 290  |
| Width (mm):       | 52   |
| Depth (mm):       | 187  |
| Length (mm):      |      |
| Nett Weight (kg): | 1.83 |

### Packaging Dimensions

|                    |      |
|--------------------|------|
| Height (mm):       | 95   |
| Width (mm):        | 265  |
| Depth (mm):        | 325  |
| Gross Weight (kg): | 1.83 |

### Packaging Data

|               |                     |
|---------------|---------------------|
| Box Colour:   | White Cardboard Box |
| Box Qty:      | 0                   |
| Label Size:   | 0 x 0               |
| Label Colour: | White Label         |
| Label Qty:    | 0                   |

### Outer Box Dimensions (If Applicable)

|                    |               |
|--------------------|---------------|
| Height (mm):       | 560           |
| Width (mm):        | 500           |
| Depth (mm):        | 345           |
| Length (mm):       |               |
| Gross Weight (kg): |               |
| Barcode:           | 5056462601342 |

### Product Details

|                              |   |
|------------------------------|---|
| Country of Origin:           | China   |
| Fitting Instruction:         | No  |
| Product Material:            | Brass   |
| Control Type:                | Manual  |
| Waste Included:              | Waste Not Included  |
| Waste Type:                  | Not Applicable  |
| WRAS Approval: Yes           | Approval No: 2204060  |
| Valve/Cartridge Type:        | Single Lever Cartridge  |
| Colour/Finish:               | Brushed Brass   |
| Mount Type:                  | Deck  |
| Operating Pressure (bar):    | 0.2   |
| Flow Rates: (Litres Per Min) | 0.1 bar: 2.4 0.5 bar: 7.4 1 bar: 10.9 2 bar: 15.9 3 bar: 19.6 |
| Pipe Size:                   | 1/2"  |
| Pipe Centres:                | N/A   |