

# GLD2 ES BAS C

## Gild Tap Range Gild Eco Start Basin Mixer with Clicker Waste



### Features:

- Eco Start technology saves energy by having cold water as the default central start position of the tap handle. Hot water is only activated when the tap lever is moved from the central position, so your boiler is not unnecessarily fired up.
- Long life ceramic cartridge for added durability and smooth control.
- Everything you need in the box including flexible tails and clicker waste so nothing to buy separately.
- A hard-wearing, flawless, scratch resistant chrome finish that lasts for years. Salt spray tested to ensure added durability.
- 10-year parts and 1 year labour guarantee for peace of mind.
- Co-ordinating Bathroom taps available.

### Product Certifications:



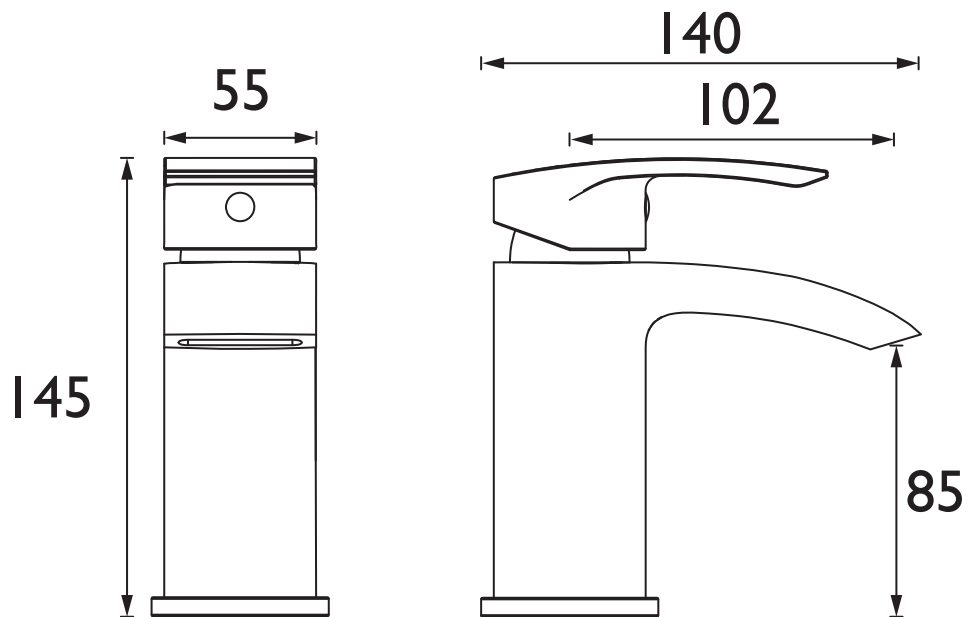
WRAS Certificate No: 2304900  
WRAS Expiry Date: 30/04/2028



### Specification

Product Type:	Bathroom Taps
Main Construction Material:	Brass
Mount Type:	Deck
Handle Type:	Lever
Connection Inlet:	M10 1/2" BSP Flexible Tails
Connection Outlet:	Open Outlet
Number of Tap Holes:	1
Valve/Cartridge Type:	35mm Cold Start Upper Seal Cartridge
Plumbing System Requirements:	Suitable for all plumbing systems
Minimum Dynamic Pressure (bar):	0.5 bar
Maximum Dynamic Pressure (bar):	5 bar
Maximum Hot Water Temperature °C:	60°C
Maximum Static Pressure (bar):	10 bar
Flow Type:	Single
Isolation Included:	No

### Dimensions (measurements in mm)



### Flow Rates (l/min)

System Pressure (bar)	0.5	1	2	3	5
GLD2 ES BAS C (mixed)	5.5	8	11.4	14	18.2

## TECHNICAL DATA SHEET



# BRISTAN

D2