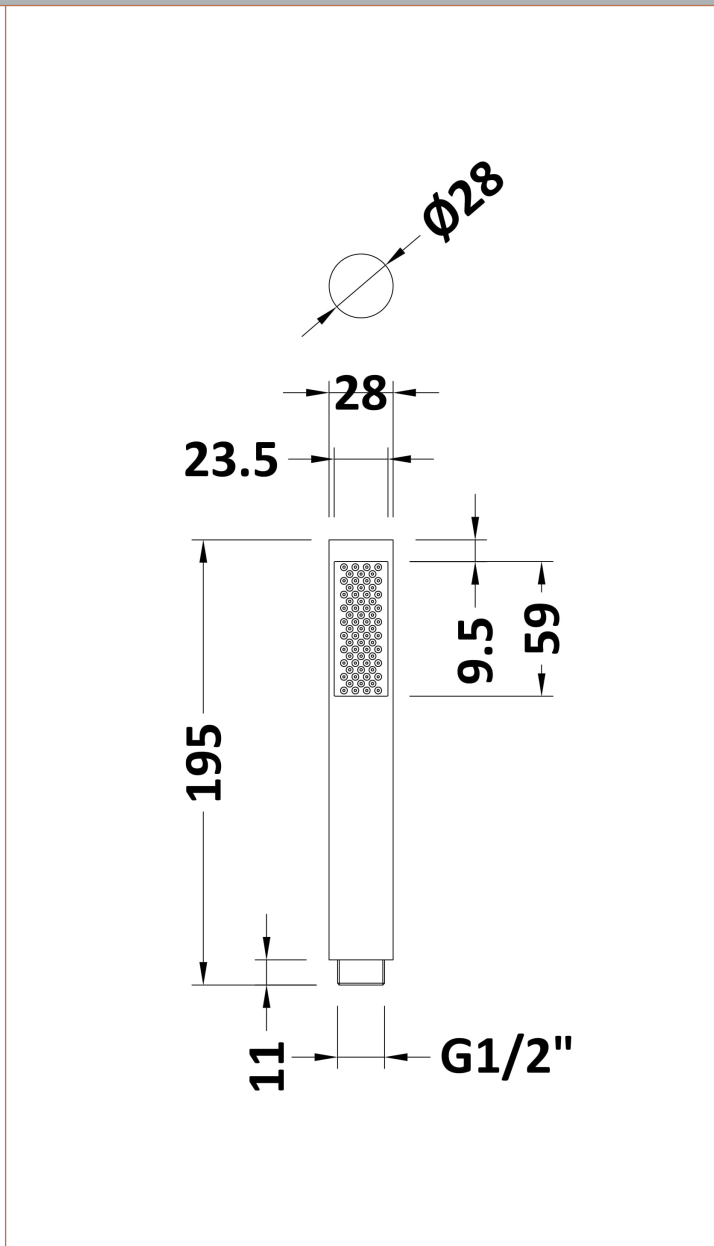


Sales Code: PK330

Description: Pencil Handset



| Product Dimensions | |
|--------------------------------------|--|
| Length (mm): | |
| Width (mm): | 28 |
| Height (mm): | 195 |
| Depth (mm): | 28 |
| Nett Weight (kg): | 0.19 |
| Packaging Dimensions | |
| Length (mm): | 200 |
| Width (mm): | 21 |
| Height (mm): | 21 |
| Gross Weight (kg): | 0.19 |
| Packaging Data | |
| Box Colour: | White Cardboard Box |
| Box Qty: | 1 |
| Label Size: | 100 x 50 |
| Label Colour: | White Label |
| Label Qty: | 2 |
| Outer Box Dimensions (If Applicable) | |
| Length (mm): | |
| Width (mm): | 240 |
| Height (mm): | 240 |
| Depth (mm): | 290 |
| Gross Weight (kg): | 12 |
| Barcode: | 5055146112150 |
| Product Details | |
| Country of Origin: | China |
| Fitting Instruction: | No |
| Product Material: | Stainless Steel |
| Mount Type: | Not Applicable |
| Outlet Elbow Supplied: | No |
| Easy Clean: | |
| Head Included: | No |
| Handset Included: | Yes |
| Body Jets Included: | No |
| No of Body Jets: | |
| Operating Pressure (bar): | 0.5 |
| Valve/Cartridge Type: | Not Applicable |
| Flow Rates (L/min): | 0.1 bar: 0.5 bar: 1 bar: 2 bar: 3 bar: |
| TMV2 Approved: | Approval No: |
| TMV3 Approved: | Approval No: |
| WRAS Approved: | Approval No: |
| Head Function: | Single |
| Handset Function: | Single Setting |
| Body Jet Info: | Not Applicable |
| Pipe Size: | Not Applicable |
| Pipe Centres: | Not Applicable |
| Colour/Finish: | Chrome |
| Hose Included: | |
| No. of Outlets: | N/A |