

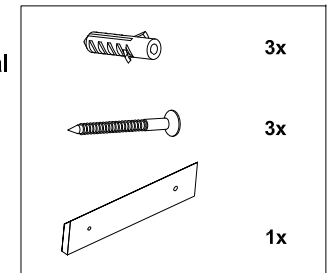
IMPORTANT: This unit must be securely fixed to a wall. Ensure that the top is horizontal before marking the wall for fixing. The wall fixings supplied may not be suitable for your installation. You may need to source alternatives depending on the material and strength of the wall you are fixing to.

CONNECTION TO THE ELECTRICITY SUPPLY: It should be connected to the household fixed wiring by a qualified electrician in accordance with the national Wiring Regulations (BS.7671). It can either be connected to the same lighting circuit as existing bathroom lighting, controlled by the same switch, or it can be connected independently to the general lighting circuit by installing its own switch (not supplied). The transformer is Class II and does not require earthing.

Maintenance & Cleaning: The mirror edges are treated with a specially formulated sealant designed to protect the mirror edges from contaminants and discolouring. Failure to follow cleaning guidelines can/will remove the benefits of the sealant.

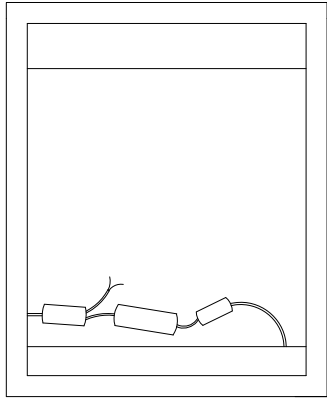
NEVER use products containing bleach, cleaners of a gritty or abrasive nature or so called "glass and mirror" cleaning products, that can be detrimental to the long lasting finish of the mirror. ONLY use a clean dry or damp micro fibre cloth to clean the mirror and mirror frame.

Parts Supplied:

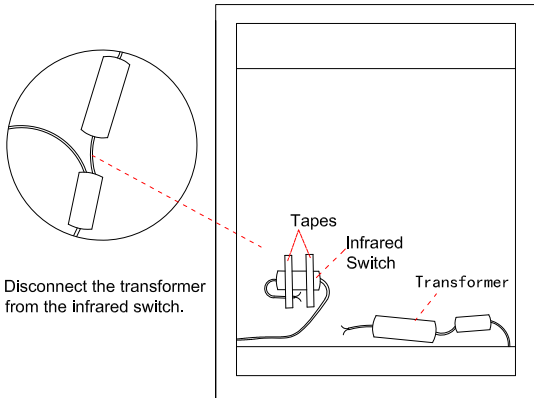


1 There are two ways for connection:
Option 1: with infrared switch, please refer to below diagram

For mirrors without LED, please go to step 4.

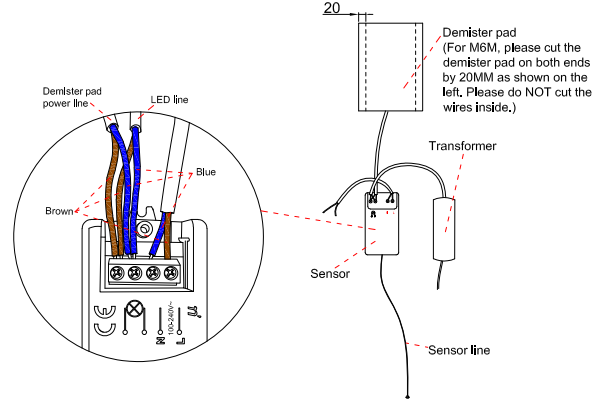


2 Option 2: with lighting switch, please refer to below diagram.



Disconnect the transformer from the infrared switch.

3



Please follow this step to connect the demister pad if any. Remove the back cover of the sensor and connect cables according to above diagram. Then put the cover back on.

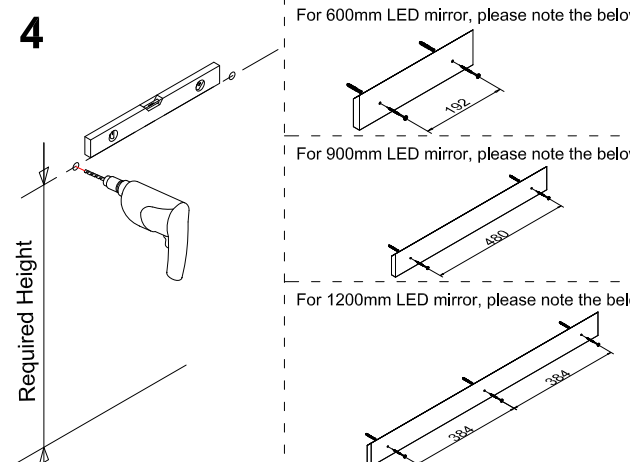
4

Required Height

For 600mm LED mirror, please note the below.

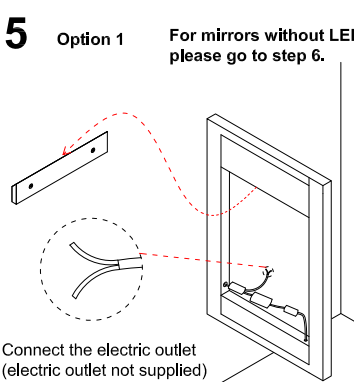
For 900mm LED mirror, please note the below.

For 1200mm LED mirror, please note the below.



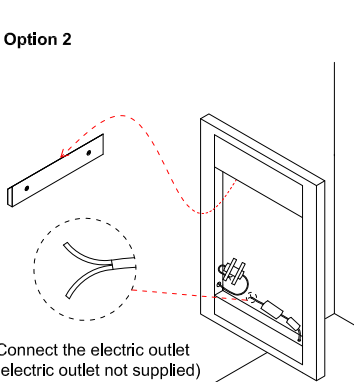
5 Option 1 For mirrors without LED, please go to step 6.

Connect the electric outlet (electric outlet not supplied)



Option 2

Connect the electric outlet (electric outlet not supplied)



6

Sensor (For LED mirrors only)

The product must be installed with a minimum distance of 150mm between the infrared sensor and an adjacent countertop or obstruction to ensure correct function of the sensor.

