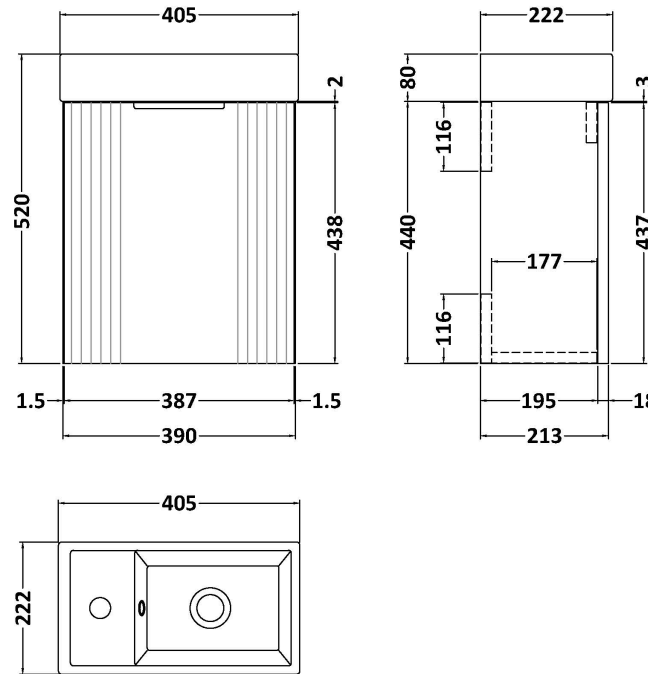


Sales Code: FLT890

Description: 400 W/H Single Door Unit Inc Basin



### Product Dimensions

Height (mm):	438
Width (mm):	400
Depth (mm):	222
Nett Weight (kg):	13.2

### Packaging Dimensions

Height (mm):	465
Width (mm):	245
Depth (mm):	410
Gross Weight (kg):	13.2

### Packaging Data

Box Colour:	Brown Cardboard Box - Printed
Box Qty:	1
Label Size:	100 x 50
Label Colour:	Not Applicable
Label Qty:	0

### Outer Box Dimensions (If Applicable)

Height (mm):	
Width (mm):	
Depth (mm):	
Gross Weight (kg):	
Barcode:	5056462643076

### Product Details

Country of Origin:	China
Fitting Instruction:	No
CE & UKCA:	No
FSC Certified Materials:	Yes
Colour:	Satin Green
Construction Method:	Cam & Wood Dowel
Construction Type:	Rigid
Cabinet Finish:	MFC Painted Matt
Fascia Finish:	MFC Painted Matt
Cabinet Thickness (mm):	16
Fascia Thickness (mm):	18
Drawer Included:	No
Drawer Type:	Not Applicable
No of Shelves:	0
Hinge Type:	95 Degree Clip-On Soft Close
Hinge Included:	Yes
Adjustable Legs:	No
Fixings Included:	Yes
Handle Style:	Modern
Waste Shroud:	No
Handle Included:	Yes
Handle Type:	Bar